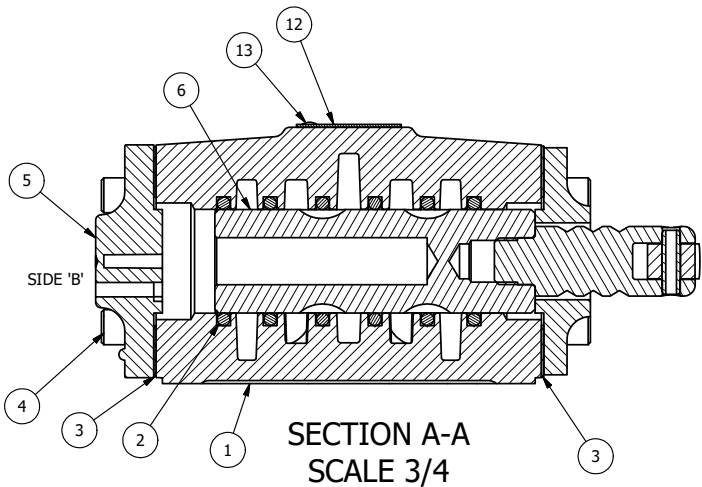


POSITION GASKET ON END OF VALVE SO GASKET COVERS PILOT HOLE BOTH SIDES (SIDE 'A' SHOWN)

NOTES:
1) ALWAYS GIVE VALVE MODEL AND PART NUMBER WHEN ORDERING PARTS.



SIDE 'A'

| FLG | QTY | PART NO | DESCRIPTION |
|-----|-----|---------|--|
| 13 | 2 | V-212 | SCREW, #2 X 3/16 DRIVE, TYPE U, OVAL HEAD, STAINLESS STEEL |
| 12 | 1 | AN-115 | BLANK NAMEPLATE FOR HE,KE,KD,RR,D,CR,PP,SR,SS VALVES. |
| 11 | 1 | SC4-3 | CLEVIS - 3 POS. DETENT, 1/2" VALVE |
| 10 | 1 | V-7 | PIN, ROLL 3/16 X 11/16, STEEL, FOR 1/4 THRU 1/2" HAND,FT & CAM V |
| 9 | 1 | V-10 | PIN, ROLL 3/16 X 7/8, STEEL |
| 8 | 1 | HL4-9C | HAND LEVER ASSEMBLY, 1/2" VALVE |
| 7 | 1 | FE4-1 | END CAP - HAND & FOOT, 380 AL, 1/2" VALVE |
| 6 | 1 | S4 | SPOOL - STANDARD, 2 POS, CLSD CTR, 1/2" VALVE |
| 5 | 1 | PEC48-3 | END CAP, VENTED, 380 AL, 1/2", 3/4" & 1" VALVES |
| 4 | 8 | V-46 | SCREW, 1/4-20 X 3/4, SOCKET HEAD CAP |
| 3 | 2 | ECG48 | GASKET - END CAP, 1/2", 3/4" & 1" VALVE |
| 2 | 6 | V-6 | O-RING, BUNA-N, 70 DURO, AS-216, (REF 1-1/8 X 1-3/8 X 1/8), 1/2" VALVES, 1" SUBPLATE |
| 1 | 1 | B4-1 | BODY, 1/2" SIDE PORT, UPPER PILOTS, ANODIZED |

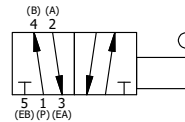
LIMITS ON DIMENSIONS
UNLESS OTHERWISE SPECIFIED
2-PL DECIMAL ± .01
3-PL DECIMAL ± .005
FRACTIONAL ± 1/64
ANGULAR ± 1/2°

AAA PRODUCTS INTERNATIONAL
7114 Harry Hines Blvd
Dallas, TX 75235

DRAWN: RMckenna DATE: 5/26/2022 CHECKED: KWaite DATE: 5/26/2022
SCALE: 3/4 SHEET: 1 OF 1 RELEASED: HWomack DATE: 5/26/2022

TITLE:
1/2" SIDE PORT, LEVER, 2 POS,
FRICTION POS, LEVER RTRN,
CRVD LVR, 270D LEVER

PART NO.: HE4CRT
REV.:



THE INFORMATION CONTAINED WITHIN THIS DOCUMENT IS PROPRIETARY TO AAA PRODUCTS AND MAY NOT BE DISCLOSED WITHOUT PRIOR WRITTEN CONSENT