

4

3

2

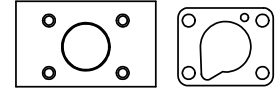
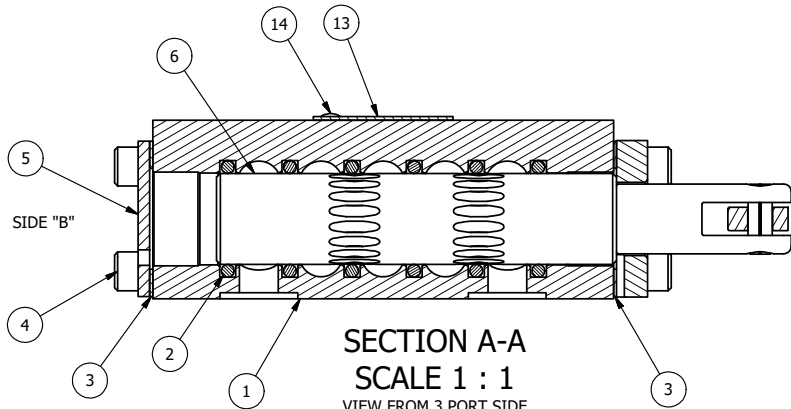
1

A

A

A

SIDE "A"



POSITION GASKET ON END OF VALVE SO MOUNTING HOLES ALIGN BOTH ENDS (SIDE 'A' SHOWN)

NOTES:

1) ALWAYS GIVE VALVE MODEL, AND PART NUMBER WHEN ORDERING PARTS.

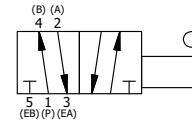
|     |     |         |  |
|-----|-----|---------|--|
| 15  | 1   | SPK-3   | KIT - SUBPLATE MOUNTING, 3/8" SUBPLATE VALVES                  |
| 14  | 2   | V-212   | SCREW, #2 X 3/16 DRIVE, TYPE U, OVAL HEAD, STAINLESS STEEL     |
| 13  | 1   | AN-115  | NAMEPLATE, BLANK, FOR HE,KE,RR,D,CR,PP,SR,SS VALVES            |
| 12  | 4   | V-162   | SCREW, 10-24 X 5/8, SOCKET HEAD CAP                            |
| 11  | 1   | HC3     | CLEVIS - NO DETENTS, 1/4" & 3/8" VALVE                         |
| 10  | 1   | V-48    | PIN, ROLL 3/16 X 9/16, STEEL, ZINC PLATED                      |
| 9   | 1   | V-542   | PIN, ROLL 3/16 X 1/2 ZINC PLATED STEEL FOR HE3-4 END CAP       |
| 8   | 1   | HL3-521 | HAND LEVER WITH RED KNOB, 1/4" & 3/8" VALVE                    |
| 7   | 1   | HE3-4   | ENDCAP - HAND OPERATOR, 303 STAINLESS, 1/4" & 3/8" STACK VALVE |
| 6   | 1   | S3      | SPOOL - STANDARD, 2 POS, CLSD CTR, 1/4" & 3/8" VALVE           |
| 5   | 1   | SEC3    | END CAP, 304 STAINLESS STEEL, 1/4" & 3/8" VALVE                |
| 4   | 4   | V-37    | SCREW, 10-24 X 1/2, SOCKET HEAD CAP                            |
| 3   | 2   | ECG3    | GASKET - END CAP, 1/4" & 3/8" VALVE                            |
| 2   | 6   | V-39    | O-RING, VITON, STD BODY, 1/4" & 3/8" VALVES                    |
| 1   | 1   | BP3-2E  | BODY - SOLID, PLAIN, NO PILOTS, ANODIZED, 3/8" SUBPLATE VALVE  |
| FLG | QTY | PART NO | DESCRIPTION  |

LIMITS ON DIMENSIONS  
UNLESS OTHERWISE SPECIFIED  
2-PL DECIMAL ± .01  
3-PL DECIMAL ± .005  
FRACTIONAL ± 1/64  
ANGULAR ± 1/2°



DRAWN: RMckenna DATE: 5/26/2022 CHECKED: KWaite DATE: 5/26/2022  
SCALE: 1 : 1 SHEET: 1 OF 1 RELEASED: HWomack DATE: 5/26/2022

|   |                      |       |
|---|----------------------|-------|
| TITLE:<br>3/8" SUBPLATE, LEVER, 2 POS,<br>FRICTION POS, LEVER RTRN,<br>RED KNOB, 270D LEVER | PART NO.:<br>HE3PJRT | REV.: |
|---|----------------------|-------|



4

3

2

THE INFORMATION CONTAINED WITHIN THIS DOCUMENT IS PROPRIETARY TO AAA PRODUCTS AND MAY NOT BE DISCLOSED WITHOUT PRIOR WRITTEN CONSENT

P:\Engineering\product\valves\assembly\lever\HE3PJRT.PRT.dwg