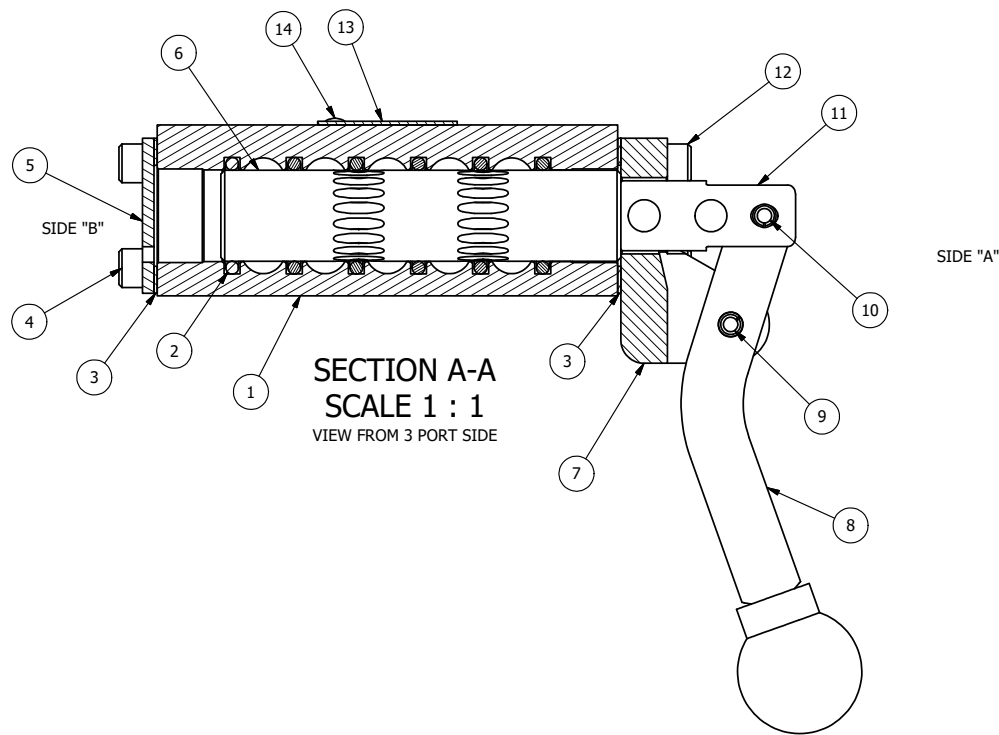


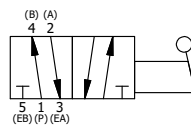
POSITION GASKET ON END OF VALVE SO MOUNTING HOLES ALIGN BOTH ENDS (SIDE 'A' SHOWN)



NOTES:  
1) ALWAYS GIVE VALVE MODEL, AND PART NUMBER WHEN ORDERING PARTS.

| FLG | QTY | PART NO  | DESCRIPTION   |
|-----|-----|----------|---|
| 17  | 1   | V-175    | KNOB, BLACK, (BRASS 10-32 INSERT), 3/4 DIA BALL, PIN LOCK         |
| 16  | 1   | V-315-SS | PIN, PIN LOCK, 303 STAINLESS, 1/4" & 3/8" VALVE                   |
| 15  | 1   | BBSS-1   | SPRING - BUTTON BLEEDER, STAINLESS STEEL, 1/8" NPTF               |
| 14  | 2   | V-212    | SCREW, #2 X 3/16 DRIVE, TYPE U, OVAL HEAD, STAINLESS STEEL        |
| 13  | 1   | AN-114   | NAMEPLATE, BLANK, FOR VALVES WITH SPRINGS OR DETENTS              |
| 12  | 4   | V-38     | SCREW, 10-24 X 3/4, SOCKET HEAD CAP                               |
| 11  | 1   | HC3-2PL  | CLEVIS - POS. A & C PINLOCKS, 1/4" & 3/8" VALVE                   |
| 10  | 1   | V-48     | PIN, ROLL 3/16 X 9/16, STEEL, ZINC PLATED                         |
| 9   | 1   | V-7      | PIN, ROLL 3/16 X 11/16, STEEL, FOR 1/4 THRU 1/2" HAND, FT & CAM V |
| 8   | 1   | HL3-24C  | CURVED HAND LEVER WITH KNOB, 1/4" & 3/8" VALVE                    |
| 7   | 1   | HE3-3PLL | END CAP, LEVER, PIN LOCK, LEFT, 380 AL, 1/4" & 3/8" VALVE         |
| 6   | 1   | S3       | SPOOL - STANDARD, 2 POS, CLSD CTR, 1/4" & 3/8" VALVE              |
| 5   | 1   | SEC3     | END CAP, 304 STAINLESS STEEL, 1/4" & 3/8" VALVE                   |
| 4   | 4   | V-37     | SCREW, 10-24 X 1/2, SOCKET HEAD CAP                               |
| 3   | 2   | ECG3     | GASKET - END CAP, 1/4" & 3/8" VALVE                               |
| 2   | 6   | V-39     | O-RING, VITON, STD BODY, 1/4" & 3/8" VALVES                       |
| 1   | 1   | B3-2E    | BODY - SOLID, PLAIN, NO PILOTS, ANODIZED, 3/8" SIDE PORT VALVE    |

|   |                 |  |                            |  |
|---|-----------------|--|----------------------------|--|
| LIMITS ON DIMENSIONS<br>UNLESS OTHERWISE SPECIFIED  |                 | 2-PL DECIMAL ± .01<br>3-PL DECIMAL ± .005<br>FRACTIONAL ± 1/64<br>ANGULAR ± 1/2° |                            | <b>AAA PRODUCTS INTERNATIONAL</b><br>7114 Harry Hines Blvd<br>Dallas, TX 75235 |
| DRAWN: RMckenna   | DATE: 5/28/2022 | CHECKED: KWaite  | DATE: 5/28/2022            |  |
| SCALE: 1 : 1  | SHEET: 1 OF 1   | RELEASED: HWomack  | DATE: 5/28/2022            |  |
| TITLE:<br><b>3/8" SIDE PORT, LEVER, 2 POS,<br/>PIN LOCK A &amp; C, LEVER RTRN,<br/>CRVD LVR, 180D LVR</b> |                 |  | PART NO.:<br><b>HE3CET</b> | REV.:  |



THE INFORMATION CONTAINED WITHIN THIS DOCUMENT IS PROPRIETARY TO AAA PRODUCTS AND MAY NOT BE DISCLOSED WITHOUT PRIOR WRITTEN CONSENT