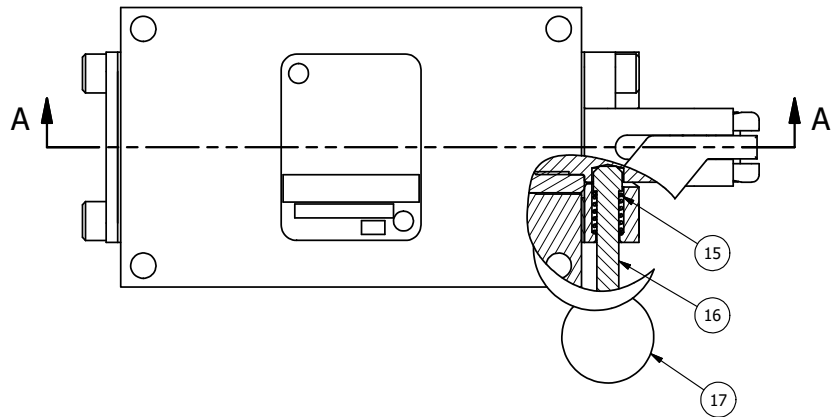


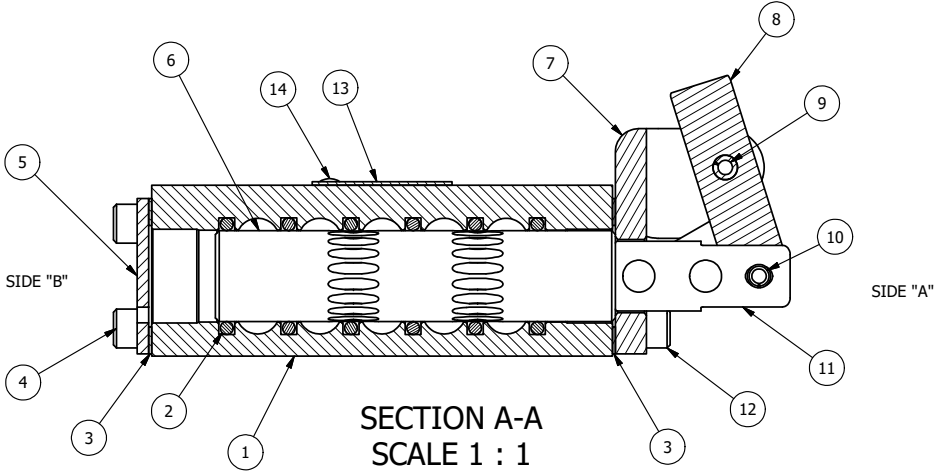
4 | 3 | 2 | 1



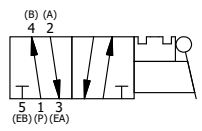
POSITION GASKET ON END OF VALVE SO MOUNTING HOLES ALIGN BOTH ENDS (SIDE 'A' SHOWN)

NOTES:  
1) ALWAYS GIVE VALVE MODEL, AND PART NUMBER WHEN ORDERING PARTS.

|     |     |           |  |
|-----|-----|-----------|--|
| 17  | 1   | V-175     | KNOB, BLACK, (BRASS 10-32 INSERT), 3/4 DIA BALL, PIN LOCK              |
| 16  | 1   | V-315-SS  | PIN, PIN LOCK, 303 STAINLESS, 1/4" & 3/8" VALVE                        |
| 15  | 1   | BBSS-1    | SPRING - BUTTON BLEEDER, STAINLESS STEEL, 1/8" NPTF                    |
| 14  | 2   | V-212     | SCREW, #2 X 3/16 DRIVE, TYPE U, OVAL HEAD, STAINLESS STEEL             |
| 13  | 1   | AN-114    | NAMEPLATE, BLANK, FOR VALVES WITH SPRINGS OR DETENTS                   |
| 12  | 4   | V-162     | SCREW, 10-24 X 5/8, SOCKET HEAD CAP                                    |
| 11  | 1   | HC3-2PL   | CLEVIS - POS. A & C PINLOCKS, 1/4" & 3/8" VALVE                        |
| 10  | 1   | V-48      | PIN, ROLL 3/16 X 9/16, STEEL, ZINC PLATED                              |
| 9   | 1   | V-508     | PIN, ROLL 3/16 X 5/8 ZINC PLATED STEEL FOR 1/4 FOOT ENDCAP             |
| 8   | 1   | HL3-24B20 | HAND LEVER WITH KNOB, BENT 20 DEG SIDEWAYS, 1/4" & 3/8" VALVES         |
| 7   | 1   | HE3-5PLL  | END CAP, LEVER, PIN LOCK, LEFT, 303 STAINLESS STEEL, 1/4" & 3/8" VALVE |
| 6   | 1   | S3        | SPOOL - STANDARD, 2 POS, CLSD CTR, 1/4" & 3/8" VALVE                   |
| 5   | 1   | SEC3      | END CAP, 304 STAINLESS STEEL, 1/4" & 3/8" VALVE                        |
| 4   | 4   | V-37      | SCREW, 10-24 X 1/2, SOCKET HEAD CAP                                    |
| 3   | 2   | ECG3      | GASKET - END CAP, 1/4" & 3/8" VALVE                                    |
| 2   | 6   | V-39      | O-RING, VITON, STD BODY, 1/4" & 3/8" VALVES                            |
| 1   | 1   | B2-2E     | BODY - SOLID, PLAIN, NO PILOTS, ANODIZED, 1/4" SIDE PORT VALVE         |
| FLG | QTY | PART NO   | DESCRIPTION  |



SECTION A-A  
SCALE 1 : 1  
VIEW FROM 3 PORT SIDE



|  |                 |  |                      |  |
|--|-----------------|--|----------------------|--|
| LIMITS ON DIMENSIONS UNLESS OTHERWISE SPECIFIED  |                 | 2-PL DECIMAL ± .01<br>3-PL DECIMAL ± .005<br>FRACTIONAL ± 1/64<br>ANGULAR ± 1/2° |                      | <b>AAA PRODUCTS INTERNATIONAL</b><br>7114 Harry Hines Blvd<br>Dallas, TX 75235 |
| DRAWN: RMckenna  | DATE: 5/26/2022 | CHECKED: KWaite  | DATE: 5/26/2022      |  |
| SCALE: 1 : 1   | SHEET: 1 OF 1   | RELEASED: HWomack  | DATE: 5/26/2022      |  |
| TITLE:<br>1/4" SIDE PORT, LEVER, 2 POS,<br>PIN LOCK A & C, LEVER RTRN,<br>BNT LVR LFT, HVY DTY |                 |  | PART NO.:<br>HE2BLEH | REV.:  |

THE INFORMATION CONTAINED WITHIN THIS DOCUMENT IS PROPRIETARY TO AAA PRODUCTS AND MAY NOT BE DISCLOSED WITHOUT PRIOR WRITTEN CONSENT

4 | 3 | 2 | 1

P:\Engineering\product\Valves\Assemblies\Levers\HE2BLEH.dwg