

4

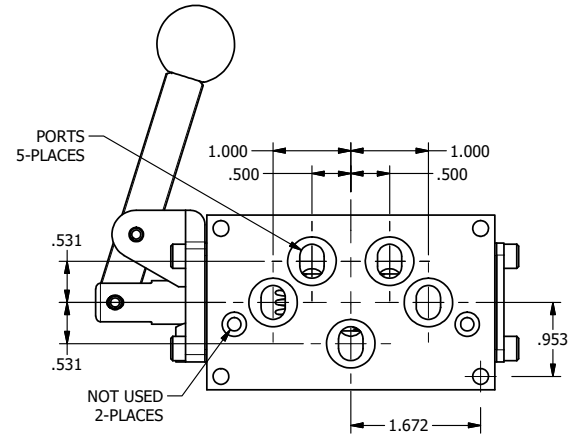
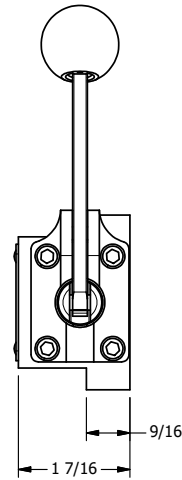
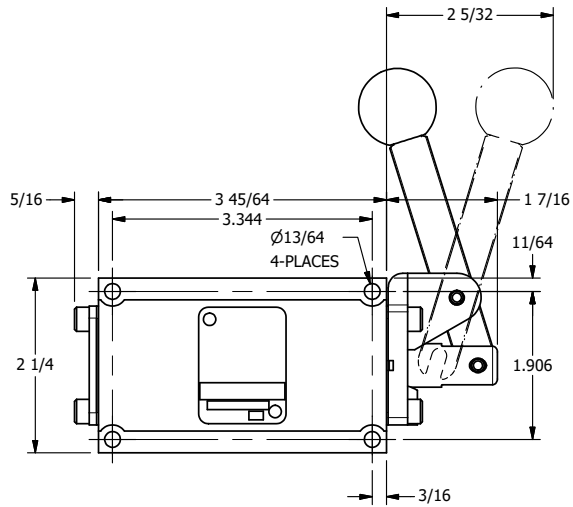
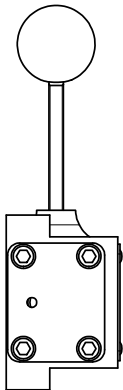
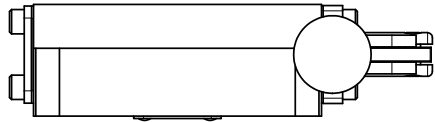
3

2

1

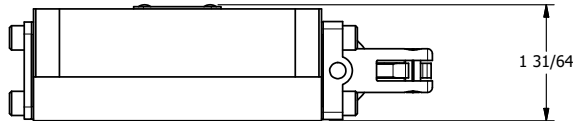
B

B



A

A



4

3

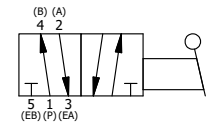
2

1



TITLE: $3/8"$ SUBPLATE, LEVER, 2 POS,
FRICTION POS, LEVER RTRN,
RED KNOB, 90D LEVER

DRAWING NO.:
DIM_HE3PJR



THE INFORMATION CONTAINED WITHIN THIS DOCUMENT IS PROPRIETARY TO AAA PRODUCTS AND MAY NOT BE DISCLOSED WITHOUT PRIOR WRITTEN CONSENT