

4

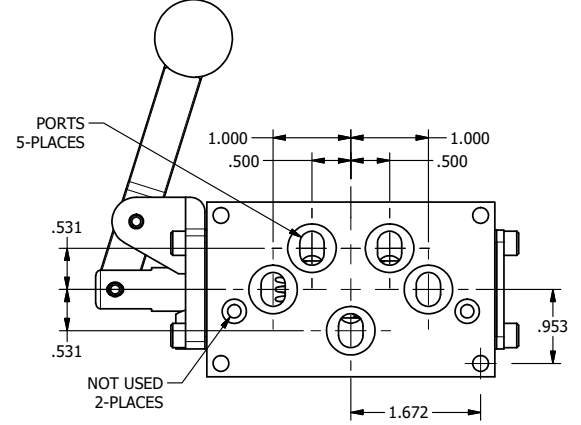
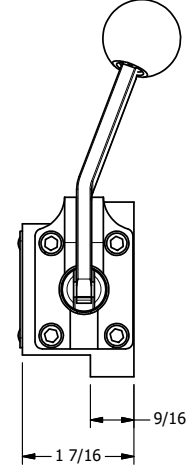
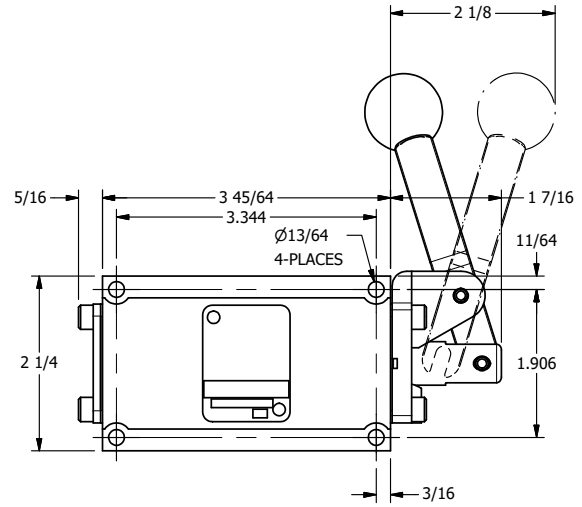
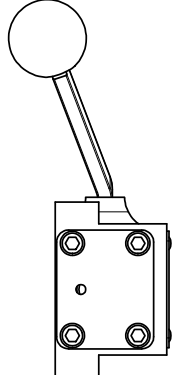
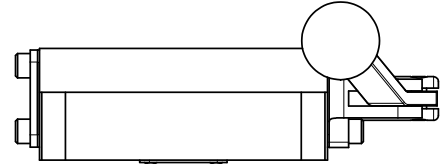
3

2

1

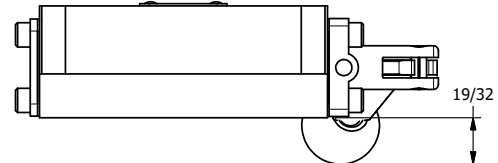
B

B



A

A



4

3

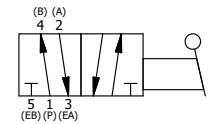
2

1



TITLE: $3/8$ " SUBPLATE, LEVER, 2 POS,
 FRICTION POS, LEVER RTRN,
 LVR BNT RGT, RED KNOB, 90D LVR

DRAWING NO.:
 DIM_HE3PBRJR



THE INFORMATION CONTAINED WITHIN THIS DOCUMENT IS PROPRIETARY TO AAA PRODUCTS AND MAY NOT BE DISCLOSED WITHOUT PRIOR WRITTEN CONSENT