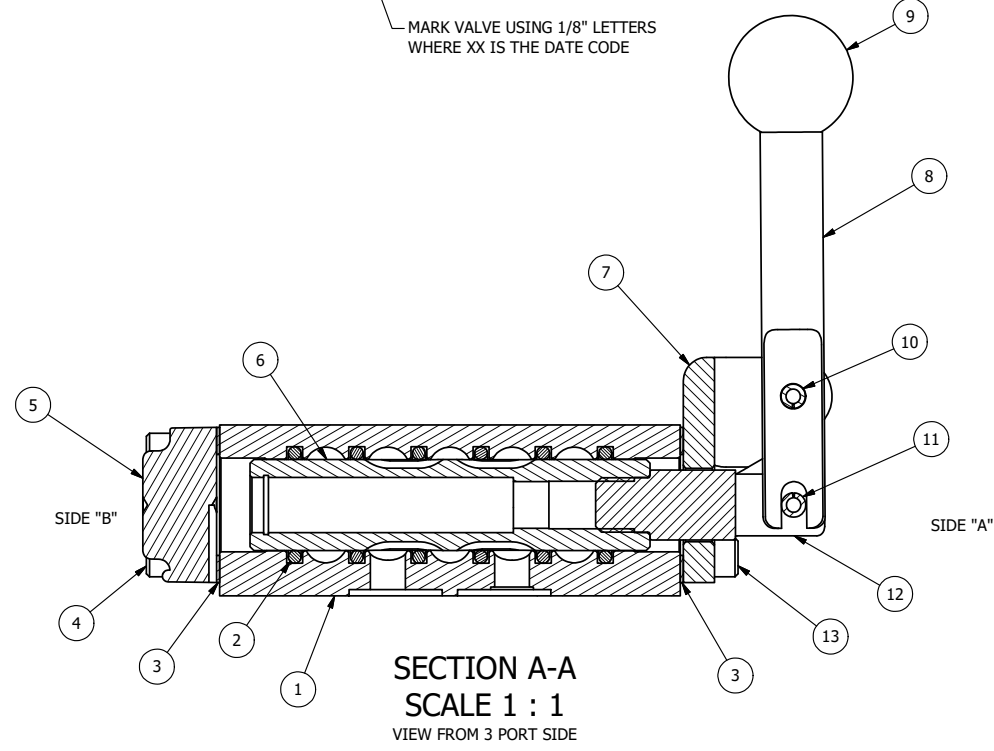


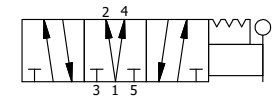
MARK VALVE USING 1/8" LETTERS WHERE XX IS THE DATE CODE

- NOTES:
 1) ALWAYS GIVE VALVE MODEL, AND PART NUMBER WHEN ORDERING PARTS.
 2) LUBRICATE DETENT BALL, SPRING AND CLEVIS.



| | | | |
|-----|-----|----------|--|
| 19 | 1 | ZNSPK-2 | KIT - SUBPLATE MOUNTING, BRASS NAMUR, (2 EA V-618-SS SCREW, 2 EA V-565 O-RING) |
| 18 | 1 | V-548 | O-RING, BUNA-N, 70 DURO, 6MM X 1MM, NAMUR PLUG |
| 17 | 1 | V-547 | PLUG, 360 HALF HARD BRASS, NAMUR VALVE |
| 16 | 1 | V-21-SS | SCREW, 1/4-20 X 3/16, SOCKET SET, CUP POINT, 18-8 SS |
| 15 | 1 | DS3-1 | SPRING, DETENT, STAINLESS, 1/4" & 3/8" VALVE. LEE SPRING # LC 0298 0 S. |
| 14 | 1 | V-14-SS | BALL, 440C STAINLESS STEEL, 3/16 DIA. FOR DETENT |
| 13 | 4 | V-162-SS | SCREW, 10-24 X 5/8, SOCKET HEAD CAP, STAINLESS STEEL |
| 12 | 1 | HC3-3 | CLEVIS - 3 POS. DETENT, STAINLESS, 1/4" & 3/8" VALVE |
| 11 | 1 | V-48-SS | PIN, ROLL 3/16 X 9/16 18-8 STAINLESS |
| 10 | 1 | V-508-SS | PIN, ROLL 3/16 X 5/8", 18-8 SS |
| 9 | 1 | V-521 | KNOB, RED (BRASS 3/8-16 INSERT), 1" DIA BALL, 1/4" & 3/8" VALVE |
| 8 | 1 | HL3-SS | HAND LEVER, 303 STAINLESS STEEL, 1/4" & 3/8" VALVE |
| 7 | 1 | HE3-5D | END CAP, LEVER, DETENT, 303 STAINLESS STEEL, 1/4" & 3/8" VALVE |
| 6 | 1 | SSH3D | SPOOL - 'D', 3 POS, REGEN CTR, 1/4" & 3/8" VALVE |
| 5 | 1 | SEC3-3 | END CAP, VENTED, STAINLESS STEEL, 1/4" & 3/8" VALVES |
| 4 | 4 | V-38-SS | SCREW, 10-24 X 3/4, SOCKET HEAD CAP, 18-8 SS |
| 3 | 2 | ECG3 | GASKET - END CAP, 1/4" & 3/8" VALVE |
| 2 | 6 | V-39 | O-RING, VITON, STD BODY, 1/4" & 3/8" VALVES |
| 1 | 1 | Z2-11 | BODY - BRASS, UPPER PILOTS (BUTTON BLEEDER), 1/4" NAMUR |
| FLG | QTY | PART NO | DESCRIPTION |

| | | | |
|--|-----------------|--|--|
| LIMITS ON DIMENSIONS UNLESS OTHERWISE SPECIFIED | | 2-PL DECIMAL ± .01 3-PL DECIMAL ± .005 FRACTIONAL ± 1/64 ANGULAR ± 1/2° | AAA PRODUCTS INTERNATIONAL 7114 Harry Hines Blvd Dallas, TX 75235 |
| DRAWN: RMckenna | DATE: 9/16/2015 | CHECKED: KWaite | |
| SCALE: 1:1 | SHEET: 1 OF 1 | RELEASED: HWomack | DATE: 9/16/2015 |
| TITLE: 1/4" NAMUR, LEVER, 3 POS, DETENT, LEVER SHFT, REGEN CTR SPL, BRASS & STAINLESS, RED KNOB | | | PART NO.: ZNHD2DJ |



THE INFORMATION CONTAINED WITHIN THIS DOCUMENT IS PROPRIETARY TO AAA PRODUCTS AND MAY NOT BE DISCLOSED WITHOUT PRIOR WRITTEN CONSENT

D:\Engineering\product\Valves\Assembly\Levers\HDS\AAA\ZNHD2DJ.dwg