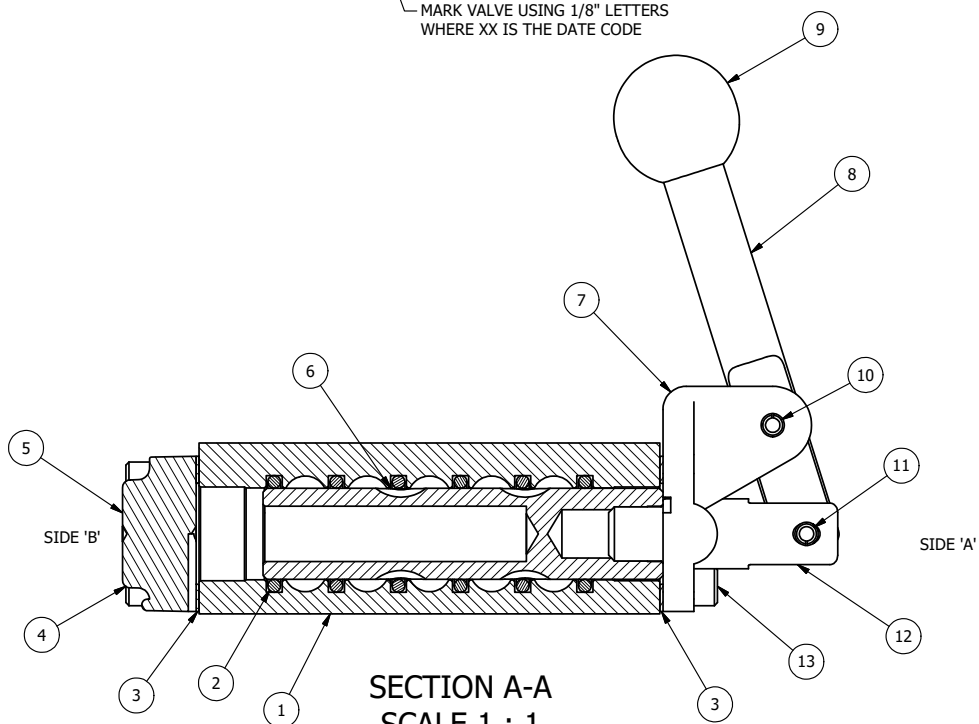


POSITION GASKET ON END OF VALVE SO MOUNTING HOLES ALIGN BOTH ENDS (SIDE 'A' SHOWN)

- NOTES:  
 1) ALWAYS GIVE VALVE MODEL, AND PART NUMBER WHEN ORDERING PARTS.  
 2) LUBRICATE DETENT BALL, SPRING AND CLEVIS.

MARK VALVE USING 1/8" LETTERS WHERE XX IS THE DATE CODE



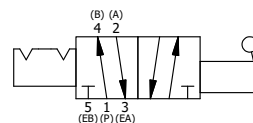
**SECTION A-A**  
**SCALE 1 : 1**  
 VIEW FROM 3 PORT SIDE

|     |     |          |   |
|-----|-----|----------|---|
| 16  | 1   | V-21-SS  | SCREW, 1/4-20 X 3/16, SOCKET SET, CUP POINT, 18-8 SS                    |
| 15  | 1   | DS3-1    | SPRING, DETENT, STAINLESS, 1/4" & 3/8" VALVE. LEE SPRING # LC 0298 0 S. |
| 14  | 1   | V-14-SS  | BALL, 440C STAINLESS STEEL, 3/16 DIA. FOR DETENT                        |
| 13  | 4   | V-162-SS | SCREW, 10-24 X 5/8, SOCKET HEAD CAP, STAINLESS STEEL                    |
| 12  | 1   | HC3-2    | CLEVIS - POS. A & C DETENTS, STAINLESS, 1/4" & 3/8" VALVE               |
| 11  | 1   | V-48-SS  | PIN, ROLL 3/16 X 9/16 18-8 STAINLESS                                    |
| 10  | 1   | V-508-SS | PIN, ROLL 3/16 X 5/8", 18-8 SS  |
| 9   | 1   | V-580    | KNOB, BLACK (BRASS 3/8-16 INSERT), 1" DIA BALL                          |
| 8   | 1   | HL3-SS   | HAND LEVER, 303 STAINLESS STEEL, 1/4" & 3/8" VALVE                      |
| 7   | 1   | HE3-5D   | END CAP, LEVER, DETENT, 303 STAINLESS STEEL, 1/4" & 3/8" VALVE          |
| 6   | 1   | S3       | SPOOL - STANDARD, 2 POS, CLSD CTR, 1/4" & 3/8" VALVE                    |
| 5   | 1   | SEC3-3   | END CAP, VENTED, STAINLESS STEEL, 1/4" & 3/8" VALVES                    |
| 4   | 4   | V-38-SS  | SCREW, 10-24 X 3/4, SOCKET HEAD CAP, 18-8 SS                            |
| 3   | 2   | ECG3     | GASKET - END CAP, 1/4" & 3/8" VALVE                                     |
| 2   | 6   | V-39     | O-RING, VITON, STD BODY, 1/4" & 3/8" VALVES                             |
| 1   | 1   | ZB3-2    | BODY - BRASS, NO PILOTS, 3/8" SIDE PORT VALVE                           |
| FLG | QTY | PART NO  | DESCRIPTION   |

LIMITS ON DIMENSIONS  
 UNLESS OTHERWISE SPECIFIED  
 2-PL DECIMAL ± .01  
 3-PL DECIMAL ± .005  
 FRACTIONAL ± 1/64  
 ANGULAR ± 1/2°



|   |                 |                           |                 |
|---|-----------------|---------------------------|-----------------|
| DRAWN: RMckenna   | DATE: 4/30/2015 | CHECKED: KWaite           | DATE: 5/30/2015 |
| SCALE: 1 : 1  | SHEET: 1 OF 1   | RELEASED: HWomack         | DATE: 5/30/2015 |
| TITLE:<br><b>3/8" SIDE PORT, LEVER, 2 POS, DETENT, LEVER RTRN BRASS &amp; STAINLESS</b> |                 | PART NO.:<br><b>ZHD3Q</b> | REV.:           |



THE INFORMATION CONTAINED WITHIN THIS DOCUMENT IS PROPRIETARY TO AAA PRODUCTS AND MAY NOT BE DISCLOSED WITHOUT PRIOR WRITTEN CONSENT