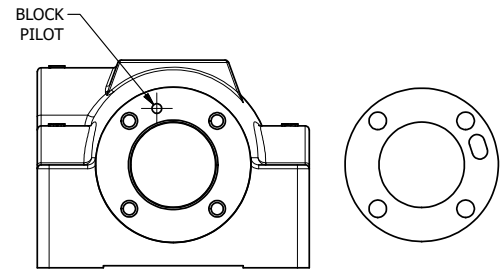
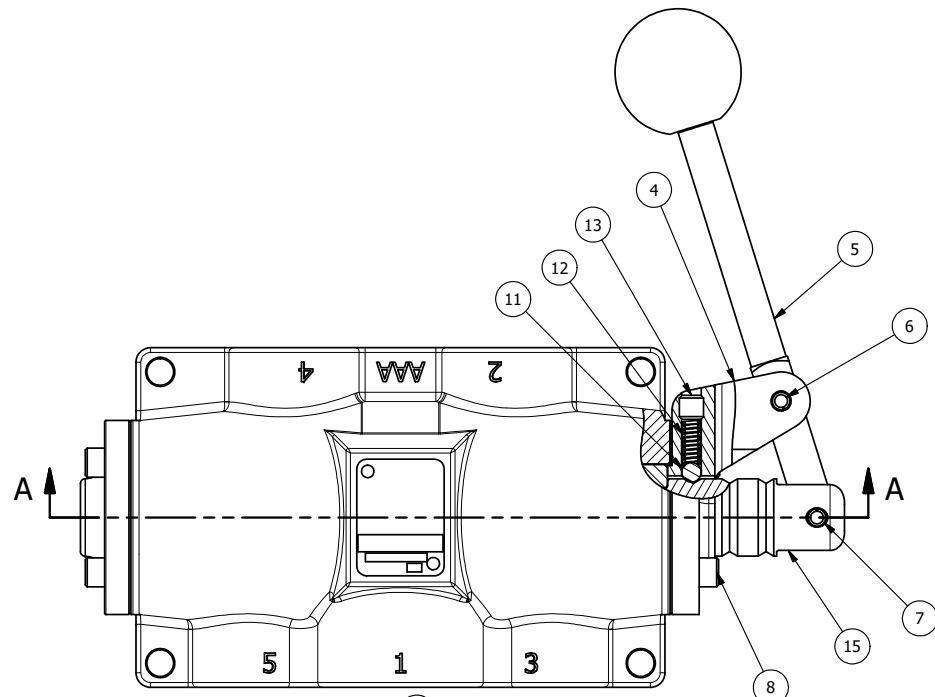
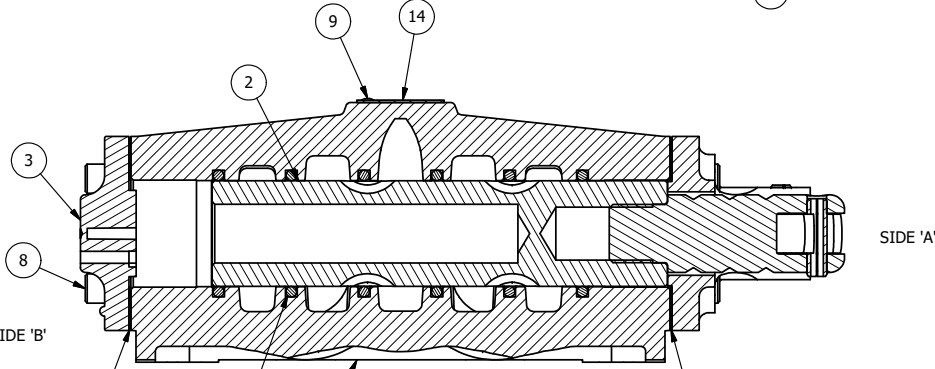


4 | 3 | 2 | 1



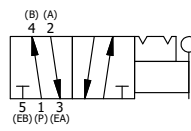
POSITION GASKET ON END OF VALVE SO  
GASKET COVERS PILOT HOLE  
BOTH SIDES (SIDE 'A' SHOWN)

NOTES:  
1) ALWAYS GIVE VALVE MODEL AND PART NUMBER WHEN ORDERING PARTS.  
2) LUBRICATE SPRINGS, AND DETENT BALL.



**SECTION A-A**  
**SCALE 5/8**  
VIEW FROM 3 PORT SIDE

FLG	QTY	PART NO	DESCRIPTION
16	1	B8-1	BODY, 1" SIDE PORT, UPPER PILOTS, ANODIZED
15	1	SC8-3	CLEVIS - 3 POS. DETENT, 3/4" & 1" VALVE
14	1	AN-114	NAMEPLATE, BLANK, FOR VALVES WITH SPRINGS OR DETENTS
13	1	V-8	SCREW, 5/16-18 X 5/16, SOCKET SET, CUP POINT
12	1	DS48	SPRING - DETENT, 1/2", 3/4" & 1" VALVE
11	1	V-4	BALL, CHROME STEEL 1/4 DIA. FOR DETENT
10	6	V-30	O-RING, BUNA-N, 70 DURO, AS-220, (REF 1-3/8 X 1-5/8 X 1/8), 3/4" & 1" VALVES
9	2	V-212	SCREW, #2 X 3/16 DRIVE, TYPE U, OVAL HEAD, STAINLESS STEEL
8	8	V-46	SCREW, 1/4-20 X 3/4, SOCKET HEAD CAP
7	1	V-51-SS	PIN, ROLL 1/4 X 1 FOR 3/4 & 1" HAND FOOT & CAM VALVES, STAINLESS STEEL
6	1	V-70	PIN, ROLL 1/4 X 1 1/8 FOR 3/4 & 1" HAND AND FOOT VALVES
5	1	HL8-9	HAND LEVER ASSEMBLY, 3/4" & 1" VALVE
4	1	FE8-3	END CAP, HAND & FOOT, DETENT, STEEL, NICKEL PLT, 3/4" & 1" VALVES
3	1	PEC48-3	END CAP, VENTED, 380 AL, 1/2", 3/4" & 1" VALVES
2	1	S8	SPOOL - STANDARD, 2 POS, CLSD CTR, 3/4" & 1" VALVE
1	2	ECG48	GASKET - END CAP, 1/2", 3/4" & 1" VALVE
FLG	QTY	PART NO	DESCRIPTION



LIMITS ON DIMENSIONS UNLESS OTHERWISE SPECIFIED		2-PL DECIMAL ± .01 3-PL DECIMAL ± .005 FRACTIONAL ± 1/64 ANGULAR ± 1/2°		<b>AAA PRODUCTS INTERNATIONAL</b> 7114 Harry Hines Blvd Dallas, TX 75235
DRAWN: RMckenna	DATE: 12/24/2022	CHECKED: KWaite	DATE: 12/24/2022	
SCALE: 3/4	SHEET: 1 OF 1	RELEASED: HWomack	DATE: 12/24/2022	
TITLE: <b>1" SIDE PORT, LEVER, 2 POS, DETENT, LVR RTRN, 90D LVR</b>			PART NO.: <b>HD8QR</b>	REV.:

THE INFORMATION CONTAINED WITHIN THIS DOCUMENT IS PROPRIETARY TO AAA PRODUCTS AND MAY NOT BE DISCLOSED WITHOUT PRIOR WRITTEN CONSENT

4 | 3 | 2 | 1

P:\Engineering\Products\Assemblies\lever\HD8QR.dwg