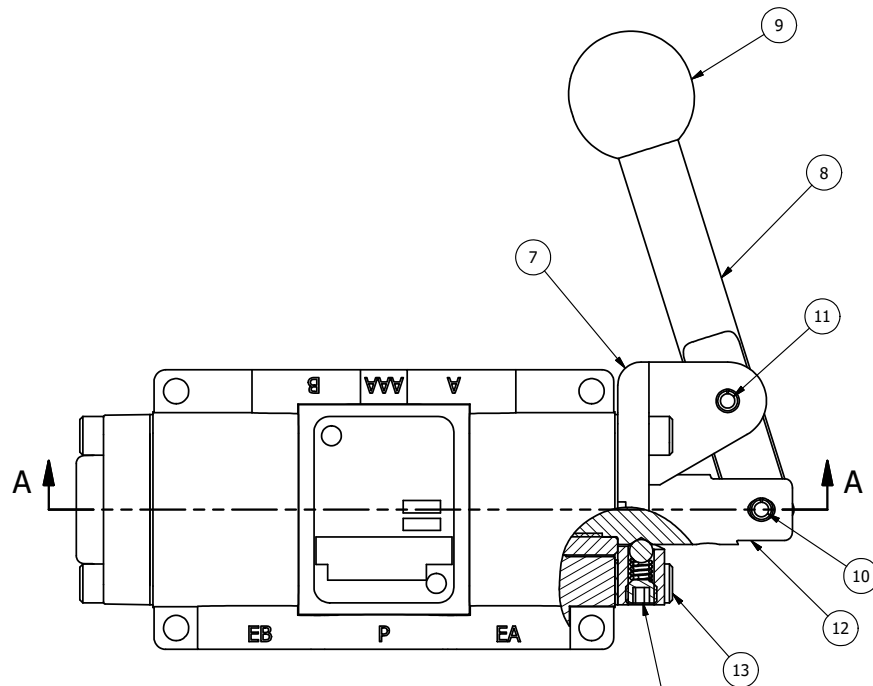


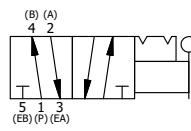
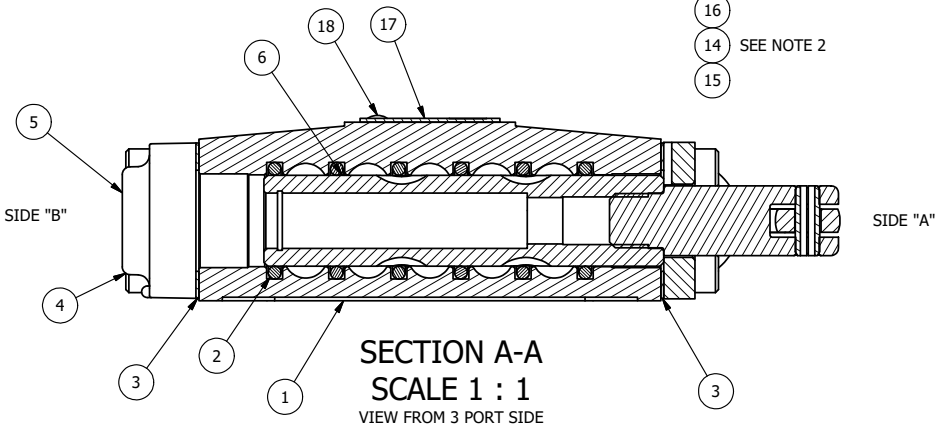
4 | 3 | 2 | 1



POSITION GASKET ON END OF VALVE SO MOUNTING HOLES ALIGN BOTH ENDS (SIDE 'A' SHOWN)

NOTES:  
 1) ALWAYS GIVE VALVE MODEL, AND PART NUMBER WHEN ORDERING PARTS.  
 2) LUBRICATE DETENT BALL, SPRING AND CLEVIS.

18	2	V-212	SCREW, #2 X 3/16 DRIVE, TYPE U, OVAL HEAD, STAINLESS STEEL
17	1	AN-106	NAMEPLATE, BLANK, STAINLESS STEEL
16	1	V-21	SCREW, 1/4-20 X 3/16, SOCKET SET, CUP POINT
15	1	DS3	SPRING - DETENT, 1/4" & 3/8" VALVE
14	1	V-14	BALL, CHROME STEEL 3/16 DIA, GRADE 25, FOR DETENT
13	4	V-162-SS	SCREW, 10-24 X 5/8, SOCKET HEAD CAP, STAINLESS STEEL
12	1	BHC3-2	CLEVIS - A & C POS. DETENT, STAINLESS, 1/4" & 3/8" STACKING VALVE
11	1	V-542	PIN, ROLL 3/16 X 1/2 ZINC PLATED STEEL FOR HE3-4 END CAP
10	1	V-48-SS	PIN, ROLL 3/16 X 9/16 18-8 STAINLESS
9	1	V-580	KNOB, BLACK (BRASS 3/8-16 INSERT), 1" DIA BALL
8	1	HL3-SS	HAND LEVER, 303 STAINLESS STEEL, 1/4" & 3/8" VALVE
7	1	HE3-4D	ENDCAP - HAND, DETENT, 303 STAINLESS, 1/4" & 3/8" STACK VALVE
6	1	SSH3-SS	SPOOL - STANDARD, 2 POS, CLSD CTR, STAINLESS, 1/4" & 3/8" VALVE
5	1	SEC3-3	END CAP, VENTED, STAINLESS STEEL, 1/4" & 3/8" VALVES
4	4	V-38-SS	SCREW, 10-24 X 3/4, SOCKET HEAD CAP, 18-8 SS
3	2	ECG3	GASKET - END CAP, 1/4" & 3/8" VALVE
2	6	V-39	O-RING, VITON, STD BODY, 1/4" & 3/8" VALVES
1	1	B3-2-SS	BODY - STAINLESS STEEL, PLAIN, NO PILOTS, 3/8" SIDE PORT VALVE
FLG	QTY	PART NO	DESCRIPTION



LIMITS ON DIMENSIONS UNLESS OTHERWISE SPECIFIED		2-PL DECIMAL ± .01 3-PL DECIMAL ± .005 FRACTIONAL ± 1/64 ANGULAR ± 1/2°		<b>AAA PRODUCTS INTERNATIONAL</b> 7114 Harry Hines Blvd Dallas, TX 75235
DRAWN: RMckenna	DATE: 12/29/2022	CHECKED: KWaite	DATE: 12/29/2022	
SCALE: 1 : 1	SHEET: 1 OF 1	RELEASED: HWomack	DATE: 12/29/2022	
TITLE: <b>3/8" SIDE PORT, LEVER, 2 POS, DETENT, LVR RTRN, 90D LVR, STAINLESS</b>		PART NO.:	REV.:	
		HD3QRSS		

THE INFORMATION CONTAINED WITHIN THIS DOCUMENT IS PROPRIETARY TO AAA PRODUCTS AND MAY NOT BE DISCLOSED WITHOUT PRIOR WRITTEN CONSENT

4 | 3 | 2

P:\Engineering\Products\Valves\Assembly\HD3QRSS.dwg