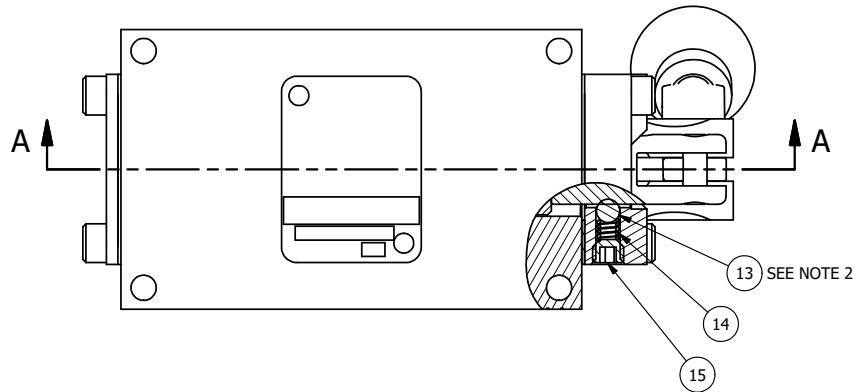
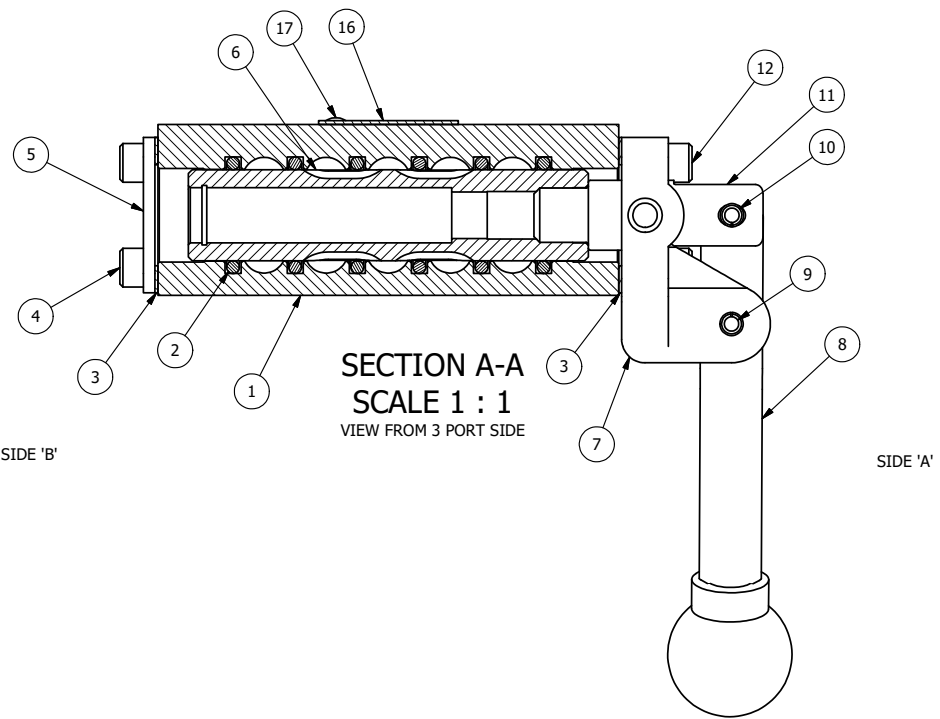


4 | 3 | 2 | 1



POSITION GASKET ON END OF VALVE SO MOUNTING HOLES ALIGN BOTH ENDS (SIDE 'A' SHOWN)

NOTES:  
 1) ALWAYS GIVE VALVE MODEL, AND PART NUMBER WHEN ORDERING PARTS.  
 2) LUBRICATE DETENT BALL, SPRING AND CLEVIS.



|     |     |           |   |
|-----|-----|-----------|---|
| 17  | 2   | V-212     | SCREW, #2 X 3/16 DRIVE, TYPE U, OVAL HEAD, STAINLESS STEEL        |
| 16  | 1   | AN-114    | NAMEPLATE, BLANK, FOR VALVES WITH SPRINGS OR DETENTS              |
| 15  | 1   | V-21      | SCREW, 1/4-20 X 3/16, SOCKET SET, CUP POINT                       |
| 14  | 1   | DS3       | SPRING - DETENT, 1/4" & 3/8" VALVE                                |
| 13  | 1   | V-14      | BALL, CHROME STEEL 3/16 DIA, GRADE 25, FOR DETENT                 |
| 12  | 4   | V-38      | SCREW, 10-24 X 3/4, SOCKET HEAD CAP                               |
| 11  | 1   | HC3-3     | CLEVIS - 3 POS. DETENT, 1/4" & 3/8" VALVE                         |
| 10  | 1   | V-48      | PIN, ROLL 3/16 X 9/16, STEEL, ZINC PLATED                         |
| 9   | 1   | V-7       | PIN, ROLL 3/16 X 11/16, STEEL, FOR 1/4 THRU 1/2" HAND, FT & CAM V |
| 8   | 1   | HL3-24B20 | HAND LEVER WITH KNOB, BENT 20 DEG SIDEWAYS, 1/4" & 3/8" VALVES    |
| 7   | 1   | HE3-3     | END CAP, LEVER, 380 AL, 1/4" & 3/8" VALVE                         |
| 6   | 1   | SSH3D     | SPOOL - 'D', 3 POS, REGEN CTR, 1/4" & 3/8" VALVE                  |
| 5   | 1   | SEC3      | END CAP, 304 STAINLESS STEEL, 1/4" & 3/8" VALVE                   |
| 4   | 4   | V-37      | SCREW, 10-24 X 1/2, SOCKET HEAD CAP                               |
| 3   | 2   | ECG3      | GASKET - END CAP, 1/4" & 3/8" VALVE                               |
| 2   | 6   | V-39      | O-RING, VITON, STD BODY, 1/4" & 3/8" VALVES                       |
| 1   | 1   | B3-2E     | BODY - SOLID, PLAIN, NO PILOTS, ANODIZED, 3/8" SIDE PORT VALVE    |
| FLG | QTY | PART NO   | DESCRIPTION   |

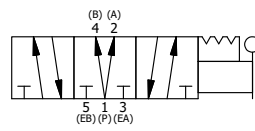
LIMITS ON DIMENSIONS  
 UNLESS OTHERWISE SPECIFIED  
 2-PL DECIMAL ± .01  
 3-PL DECIMAL ± .005  
 FRACTIONAL ± 1/64  
 ANGULAR ± 1/2°

**AAA PRODUCTS INTERNATIONAL**  
 7114 Harry Hines Blvd  
 Dallas, TX 75235

DRAWN: RMckenna DATE: 12/21/2022 CHECKED: KWaite DATE: 12/21/2022  
 SCALE: 1:1 SHEET: 1 OF 1 RELEASED: HWomack DATE: 12/21/2022

TITLE:  
**3/8" SIDE PORT, LEVER, 3 POS, DETENT, LEVER SHFT, REGEN CTR SPL, BNT LVR LFT, 180D LVR**

PART NO.: **HD3DBLT**



4 | 3 | 2 | 1

THE INFORMATION CONTAINED WITHIN THIS DOCUMENT IS PROPRIETARY TO AAA PRODUCTS AND MAY NOT BE DISCLOSED WITHOUT PRIOR WRITTEN CONSENT

P:\Engineering\Products\Valves\Assembly\Lever\HD3DBLT.dwg