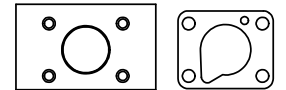
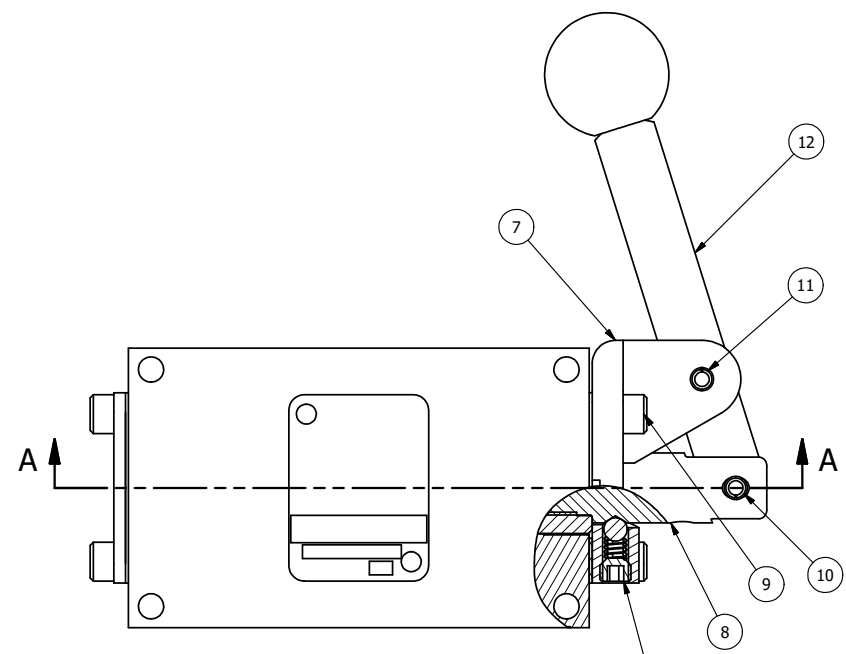


4 | 3 | 2 | 1

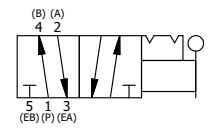
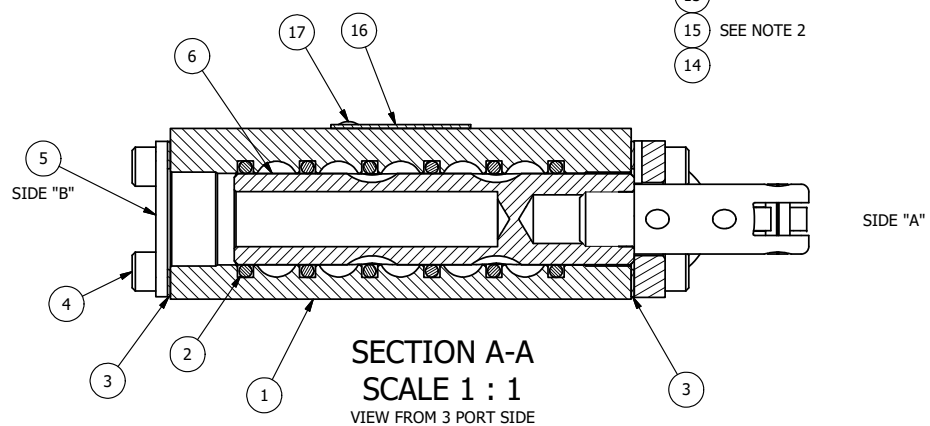


POSITION GASKET ON END OF VALVE SO MOUNTING HOLES ALIGN BOTH ENDS (SIDE 'A' SHOWN)

NOTES:  
 1) ALWAYS GIVE VALVE MODEL, AND PART NUMBER WHEN ORDERING PARTS.  
 2) LUBRICATE DETENT BALL, SPRING AND CLEVIS.



15 SEE NOTE 2



|     |     |         |  |
|-----|-----|---------|--|
| 17  | 2   | V-212   | SCREW, #2 X 3/16 DRIVE, TYPE U, OVAL HEAD, STAINLESS STEEL     |
| 16  | 1   | AN-114  | NAMEPLATE, BLANK, FOR VALVES WITH SPRINGS OR DETENTS           |
| 15  | 1   | V-14    | BALL, CHROME STEEL 3/16 DIA, GRADE 25, FOR DETENT              |
| 14  | 1   | DS3     | SPRING - DETENT, 1/4" & 3/8" VALVE                             |
| 13  | 1   | V-21    | SCREW, 1/4-20 X 3/16, SOCKET SET, CUP POINT                    |
| 12  | 1   | HL3-521 | HAND LEVER WITH RED KNOB, 1/4" & 3/8" VALVE                    |
| 11  | 1   | V-542   | PIN, ROLL 3/16 X 1/2 ZINC PLATED STEEL FOR HE3-4 END CAP       |
| 10  | 1   | V-48    | PIN, ROLL 3/16 X 9/16, STEEL, ZINC PLATED                      |
| 9   | 4   | V-162   | SCREW, 10-24 X 5/8, SOCKET HEAD CAP                            |
| 8   | 1   | BHC3-2  | CLEVIS - A & C POS. DETENT, 1/4" & 3/8" STACKING VALVE         |
| 7   | 1   | HE3-4D  | ENDCAP - HAND, DETENT, 303 STAINLESS, 1/4" & 3/8" STACK VALVE  |
| 6   | 1   | S3      | SPOOL - STANDARD, 2 POS, CLSD CTR, 1/4" & 3/8" VALVE           |
| 5   | 1   | SEC3    | END CAP, 304 STAINLESS STEEL, 1/4" & 3/8" VALVE                |
| 4   | 4   | V-37    | SCREW, 10-24 X 1/2, SOCKET HEAD CAP                            |
| 3   | 2   | ECG3    | GASKET - END CAP, 1/4" & 3/8" VALVE                            |
| 2   | 6   | V-39    | O-RING, VITON, STD BODY, 1/4" & 3/8" VALVES                    |
| 1   | 1   | B2-2E   | BODY - SOLID, PLAIN, NO PILOTS, ANODIZED, 1/4" SIDE PORT VALVE |
| FLG | QTY | PART NO | DESCRIPTION  |

|   |                  |  |                     |   |
|---|------------------|--|---------------------|---|
| LIMITS ON DIMENSIONS<br>UNLESS OTHERWISE SPECIFIED                          |                  | 2-PL DECIMAL ± .01<br>3-PL DECIMAL ± .005<br>FRACTIONAL ± 1/64<br>ANGULAR ± 1/2° |                     | <p><b>AAA PRODUCTS INTERNATIONAL</b><br/>                 7114 Harry Hines Blvd<br/>                 Dallas, TX 75235</p> |
| DRAWN: RMckenna   | DATE: 12/29/2022 | CHECKED: KWaite  | DATE: 12/29/2022    |   |
| SCALE: 1 : 1  | SHEET: 1 OF 1    | RELEASED: HWomack  | DATE: 12/29/2022    |   |
| TITLE:<br>1/4" SIDE PORT, LEVER, 2 POS, DETENT, LVR RTRN, RED KNOB, 90D LVR |                  |  | PART NO.:<br>HD2JQR | REV.:   |

THE INFORMATION CONTAINED WITHIN THIS DOCUMENT IS PROPRIETARY TO AAA PRODUCTS AND MAY NOT BE DISCLOSED WITHOUT PRIOR WRITTEN CONSENT

4 | 3 | 2 | 1

D:\Engineering\Products\Valves\Assembly\Level HD2JQR\HD2JQR.dwg