

4

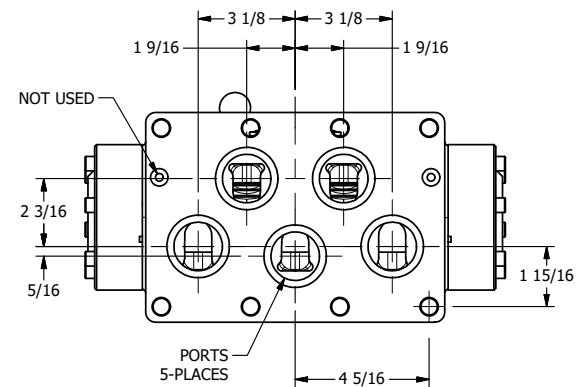
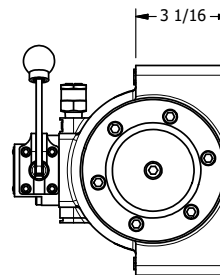
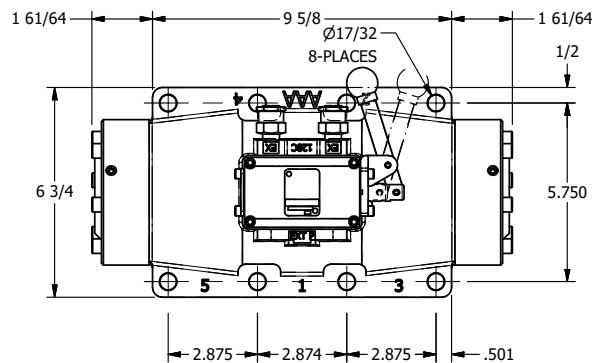
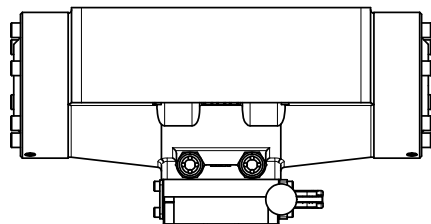
3

2

1

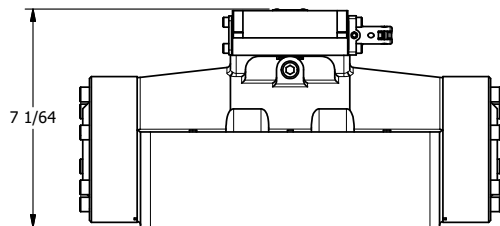
B

B



A

A



4

3

2

1

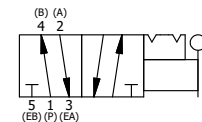
A

A



TITLE: 2" SUBPLATE, LEVER, 2 POS,
DETENT, LVR RTRN, 90D LVR

DRAWING NO.: DIM_HD16PQR



THE INFORMATION CONTAINED WITHIN THIS DOCUMENT IS PROPRIETARY TO AAA PRODUCTS AND MAY NOT BE DISCLOSED WITHOUT PRIOR WRITTEN CONSENT