

4

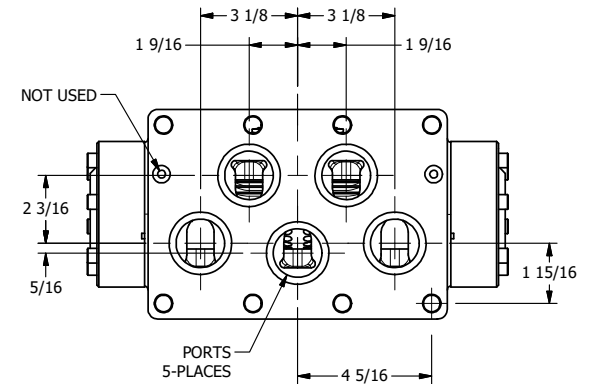
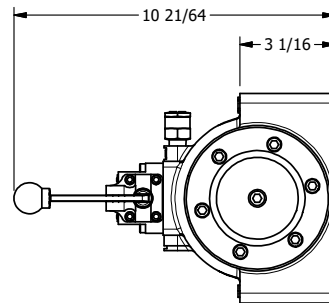
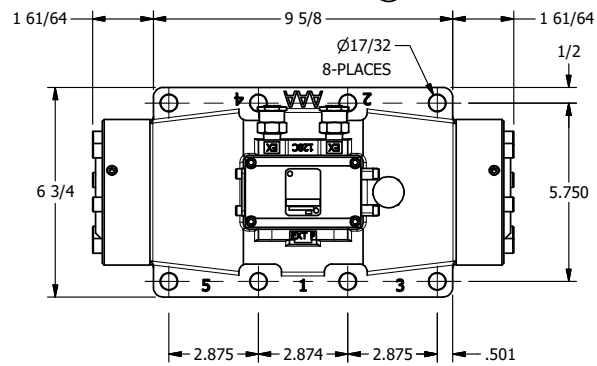
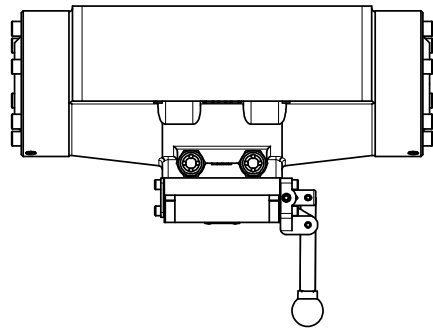
3

2

1

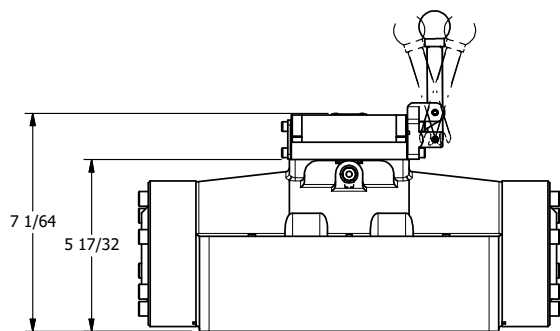
B

B



A

A



4

3

2

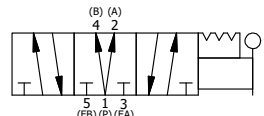
A

A



TITLE: 2" SUBPLATE, LEVER, 3 POS,
DETENT, LEVER SHFT, REGEN CTR SPL,
EXTERNAL PILOT

DRAWING NO.: DIM_HD16PDZ



THE INFORMATION CONTAINED WITHIN THIS DOCUMENT IS PROPRIETARY TO AAA PRODUCTS AND MAY NOT BE DISCLOSED WITHOUT PRIOR WRITTEN CONSENT