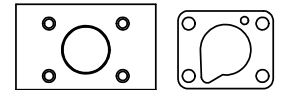
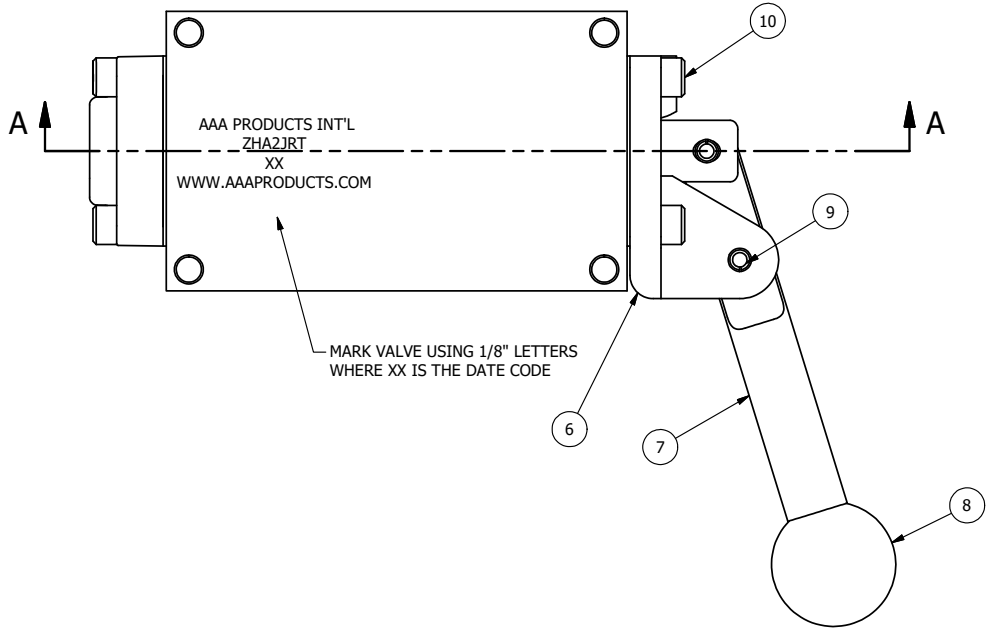


4 | 3 | 2 | 1

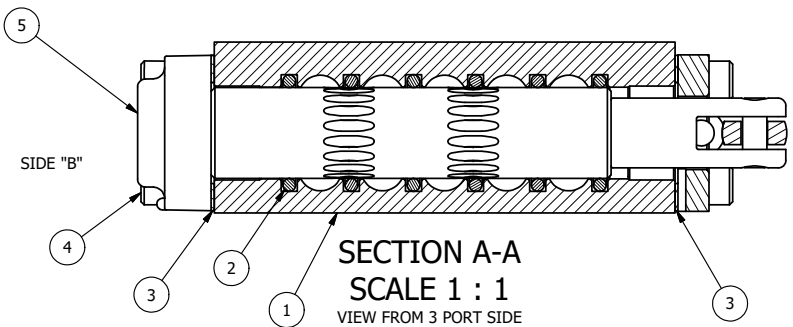


POSITION GASKET ON END OF VALVE SO MOUNTING HOLES ALIGN BOTH ENDS (SIDE 'A' SHOWN)

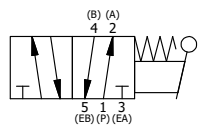


NOTES:  
1) ALWAYS GIVE VALVE MODEL, AND PART NUMBER WHEN ORDERING PARTS.

| FLG | QTY | PART NO   | DESCRIPTION   |
|-----|-----|-----------|---|
| 10  | 4   | V-162-SS  | SCREW, 10-24 X 5/8, SOCKET HEAD CAP, STAINLESS STEEL                                  |
| 9   | 1   | V-542-SS  | PIN, ROLL 3/16 X 1/2 NON-MAGNETIC STAINLESS STEEL FOR HE3-4 END CAP                   |
| 8   | 1   | V-521     | KNOB, RED (BRASS 3/8-16 INSERT), 1" DIA BALL, 1/4" & 3/8" VALVE                       |
| 7   | 1   | HL3-SS    | HAND LEVER, 303 STAINLESS STEEL, 1/4" & 3/8" VALVE                                    |
| 6   | 1   | HE3-4     | ENDCAP - HAND OPERATOR, 303 STAINLESS, 1/4" & 3/8" STACK VALVE                        |
| 5   | 1   | AY-HA3-SA | ASSY - NO DETENT, RTRN TO A, LEVER OR TREADLE, STAINLESS W/AL SPOOL, 1/4 & 3/8 VALVES |
| 4   | 4   | V-38-SS   | SCREW, 10-24 X 3/4, SOCKET HEAD CAP, 18-8 SS  |
| 3   | 2   | ECG3      | GASKET - END CAP, 1/4" & 3/8" VALVE   |
| 2   | 6   | V-39      | O-RING, VITON, STD BODY, 1/4" & 3/8" VALVES   |
| 1   | 1   | ZB2-2     | BODY - BRASS, NO PILOTS, 1/4" SIDE PORT VALVE   |



SIDE "A"



|  |                  |  |                             |   |
|--|------------------|--|-----------------------------|---|
| LIMITS ON DIMENSIONS UNLESS OTHERWISE SPECIFIED  |                  | 2-PL DECIMAL ± .01<br>3-PL DECIMAL ± .005<br>FRACTIONAL ± 1/64<br>ANGULAR ± 1/2° |                             | <p><b>AAA PRODUCTS INTERNATIONAL</b><br/>7114 Harry Hines Blvd<br/>Dallas, TX 75235</p> |
| DRAWN: RMckenna  | DATE: 11/30/2022 | CHECKED: KWaite  | DATE: 11/30/2022            |   |
| SCALE: 1:1   | SHEET: 1 OF 1    | RELEASED: HWomack  | DATE: 11/30/2022            |   |
| TITLE:<br><b>1/4" SIDE PORT, LEVER, 2 POS, RVRS SPR RTRN, BRASS &amp; SS, RED KNOB. 270D LVR</b> |                  |  | PART NO.:<br><b>ZHA2JRT</b> | REV.:   |

THE INFORMATION CONTAINED WITHIN THIS DOCUMENT IS PROPRIETARY TO AAA PRODUCTS AND MAY NOT BE DISCLOSED WITHOUT PRIOR WRITTEN CONSENT

B | A

4 | 3 | 2

P:\Engineering\Products\Valves\Assembly\Level\HA\BAG\ZHA2JRT.dwg