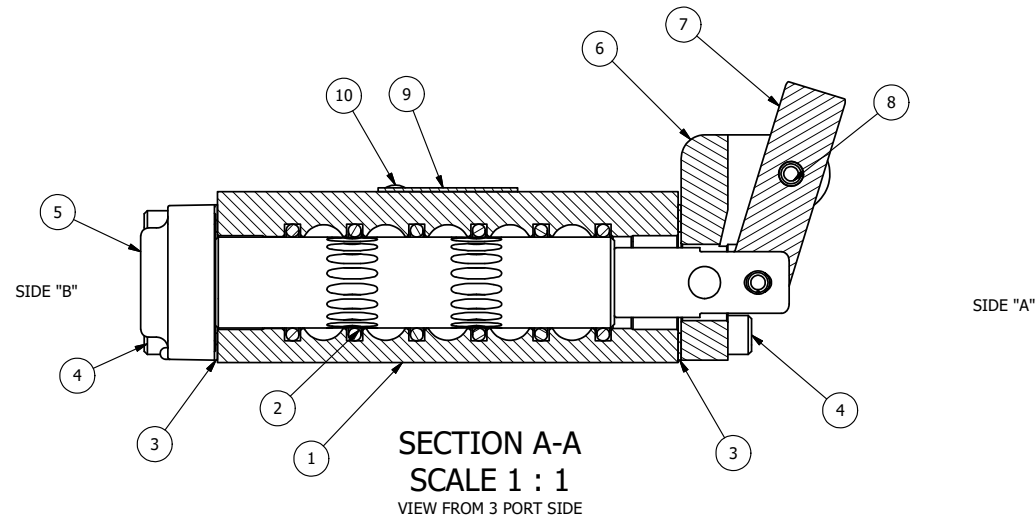


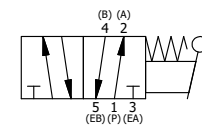
POSITION GASKET ON END OF VALVE SO MOUNTING HOLES ALIGN BOTH ENDS (SIDE 'A' SHOWN)

NOTES:  
1) ALWAYS GIVE VALVE MODEL, AND PART NUMBER WHEN ORDERING PARTS.



| FLG | QTY | PART NO    | DESCRIPTION  |
|-----|-----|------------|--|
| 10  | 2   | V-212      | SCREW, #2 X 3/16 DRIVE, TYPE U, OVAL HEAD, STAINLESS STEEL         |
| 9   | 1   | AN-114     | NAMEPLATE, BLANK, FOR VALVES WITH SPRINGS OR DETENTS               |
| 8   | 1   | V-7        | PIN, ROLL 3/16 X 11/16, STEEL, FOR 1/4 THRU 1/2" HAND, FT & CAM V  |
| 7   | 1   | HL3-521B20 | HAND LEVER WITH RED KNOB, BENT 20 DEG SIDEWAYS, 1/4" & 3/8" VALVES |
| 6   | 1   | HE3-1LO    | END CAP, LEVER, LOCK OUT, 380 AL, 1/4" & 3/8" VALVE                |
| 5   | 1   | AY-HA3LO   | ASSY - LOCKOUT A, RTRN TO A, LEVER OR TREADLE, 1/4 & 3/8 VALVES    |
| 4   | 8   | V-38       | SCREW, 10-24 X 3/4, SOCKET HEAD CAP                                |
| 3   | 2   | ECG3       | GASKET - END CAP, 1/4" & 3/8" VALVE                                |
| 2   | 6   | V-39       | O-RING, VITON, STD BODY, 1/4" & 3/8" VALVES                        |
| 1   | 1   | B2-2E      | BODY - SOLID, PLAIN, NO PILOTS, ANODIZED, 1/4" SIDE PORT VALVE     |

|  |  |  |  |  |                 |                 |
|--|--|--|--|--|-----------------|-----------------|
| LIMITS ON DIMENSIONS<br>UNLESS OTHERWISE SPECIFIED   |  | 2-PL DECIMAL ± .01<br>3-PL DECIMAL ± .005<br>FRACTIONAL ± 1/64<br>ANGULAR ± 1/2° |  | <b>AAA PRODUCTS INTERNATIONAL</b><br>7114 Harry Hines Blvd<br>Dallas, TX 75235 |                 |                 |
| DRAWN: RMckenna  |  | DATE: 1/30/2025  |  |  | CHECKED: KWaite | DATE: 1/30/2025 |
| SCALE: 1 : 1   |  | SHEET: 1 OF 1  |  | RELEASED: HWomack  |                 | DATE: 1/30/2025 |
| TITLE:<br>1/4" SIDE PORT, LEVER, 2 POS,<br>RVRS SPR RTRN,<br>BENT LVR LFT, RED KNOB, LOCKOUT A |  |  |  | PART NO.:  | REV.:           |                 |
|  |  |  |  | HA2BLJLO   |                 |                 |



THE INFORMATION CONTAINED WITHIN THIS DOCUMENT IS PROPRIETARY TO AAA PRODUCTS AND MAY NOT BE DISCLOSED WITHOUT PRIOR WRITTEN CONSENT

P:\Engineering\product\valves\assembly\lever\HA2BLJLO.dwg