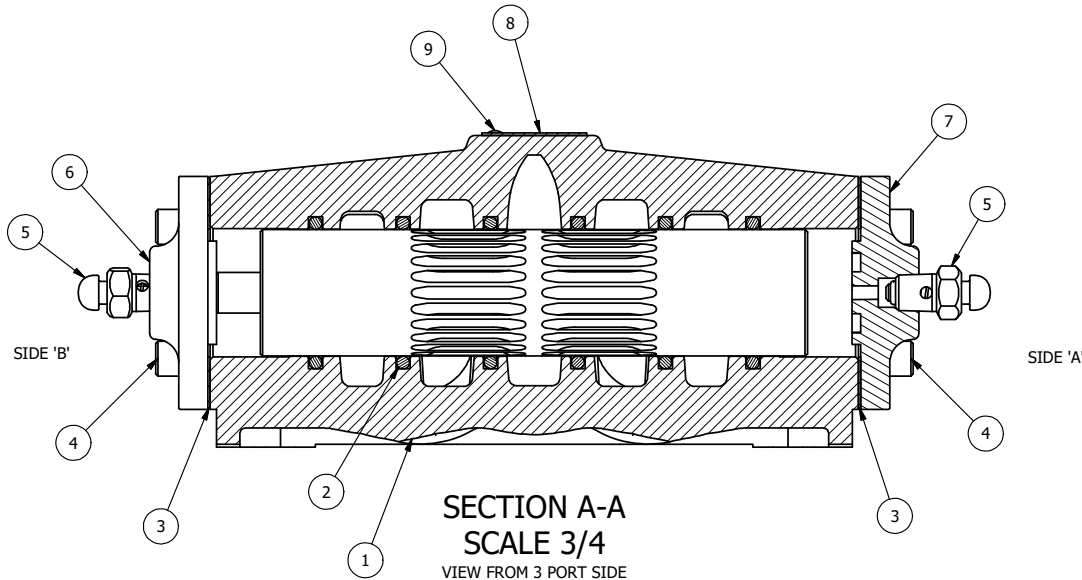


NOTES:  
1) ALWAYS GIVE VALVE MODEL AND PART NUMBER WHEN ORDERING PARTS.



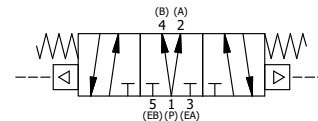
FLG	QTY	PART NO	DESCRIPTION
9	2	V-212	SCREW, 2 X 3/16, DRIVE, TYPE U, OVAL HEAD, 316 SS
8	1	AN-114	NAME PLATE, BLANK, FOR VALVES WITH SPRINGS OR DETENTS.
7	1	DP48	ENDCAP - DP48, DIFFERENTIAL PILOT, 380 AL, 1/2", 3/4" & 1" VALVES
6	1	AY-DY8D	ASSY - SPR CTR, REGEN CTR SPL, DIFF PILOT, 3/4" & 1" VALVE
5	2	BB-1S	COMPLETE BUTTON BLEEDER ASSY W/STEEL PLUNGER
4	8	V-46	SCREW, 1/4-20 X 3/4, SOCKET HEAD CAP
3	2	ECG48-3	GASKET - END CAP, BUTTON BLEEDER, 1/2", 3/4" & 1" VALVE
2	6	V-30	O-RING, BUNA-N, 70 DURO, AS-220, (REF 1-3/8 X 1-5/8 X 1/8), 3/4" & 1" VALVES
1	1	B8-1	BODY, 1" SIDE PORT, UPPER PILOTS, ANODIZED

LIMITS ON DIMENSIONS  
UNLESS OTHERWISE SPECIFIED  
2-PL DECIMAL ± .01  
3-PL DECIMAL ± .005  
FRACTIONAL ± 1/64  
ANGULAR ± 1/2°

**AAA PRODUCTS INTERNATIONAL**  
7114 Harry Hines Blvd  
Dallas, TX 75235

DRAWN: RMcKenna DATE: 10/18/2014 CHECKED: KWaite DATE: 3/27/2015  
SCALE: 3/4 SHEET: 1 OF 1 RELEASED: HWomack DATE: 3/27/2015

TITLE: <b>1" SIDE PORT, DIFF PILOT, 3 POS, SPR CTR, DIFF PILOT SHFT, REGEN CTR SPL</b>	PART NO.: <b>DY8D</b>	REV.: <b>A</b>
---	--------------------------	-------------------



A	NO.	DATE	REVISION
	3	3/13/2015	CHANGED GASKET TO ECG48-3.

THE INFORMATION CONTAINED WITHIN THIS DOCUMENT IS PROPRIETARY TO AAA PRODUCTS AND MAY NOT BE DISCLOSED WITHOUT PRIOR WRITTEN CONSENT

D:\Engineering\Inventor Files\Internal Drawings\Valves Assembly\Diff Pilot\DY8D.dwg