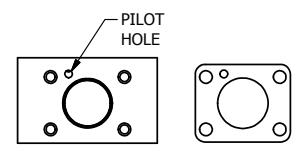
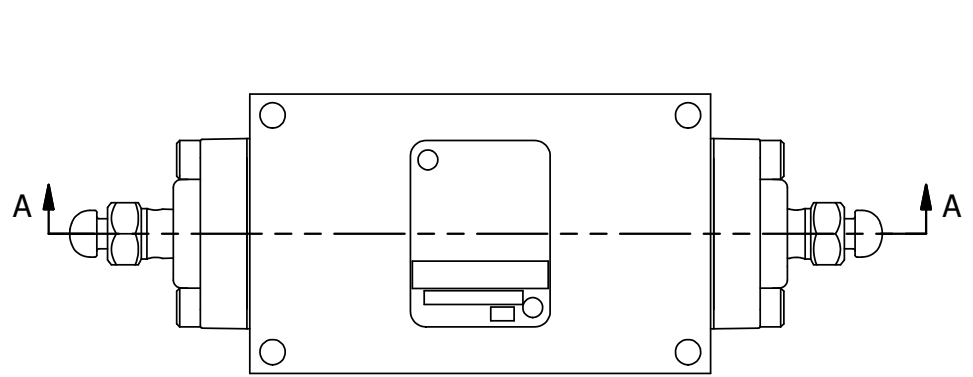
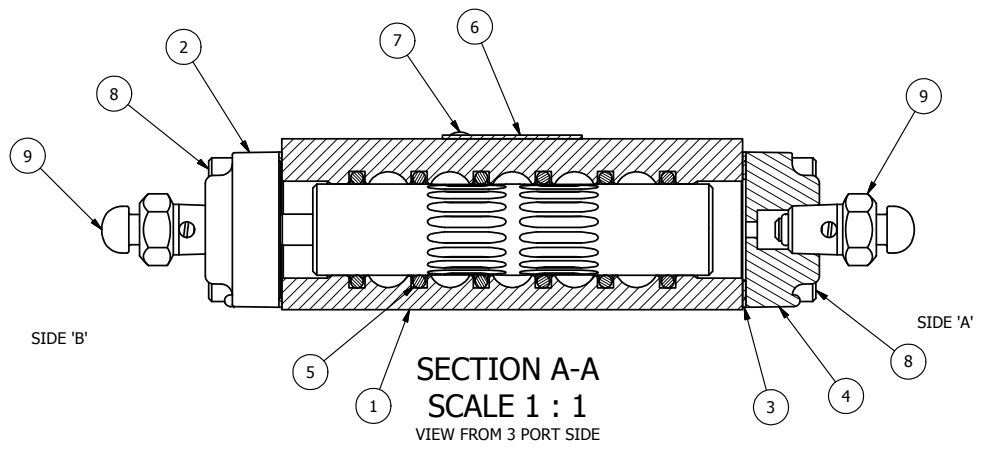


4 | 3 | 2 | 1



ALIGN PILOT HOLE AND GASKET HOLE BOTH SIDES (SIDE 'A' SHOWN)

NOTES:
1) ALWAYS GIVE VALVE MODEL AND PART NUMBER WHEN ORDERING PARTS.

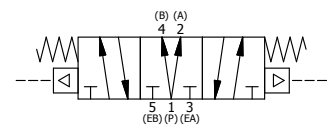


FLG	QTY	PART NO	DESCRIPTION
9	2	BB-1S	COMPLETE BUTTON BLEEDER ASSY W/STEEL PLUNGER
8	8	V-38	SCREW, 10-24 X 3/4 SHCS, FOR 3/8" CAST END CAP
7	2	V-212	SCREW, #2 X 3/16 DRIVE, TYPE U, OVAL HEAD, 316 STAINLESS STEEL
6	1	AN-114	NAME PLATE, BLANK, FOR VALVES WITH SPRINGS OR DETENTS.
5	6	V-39	O-RING, STD BODY, VITON, 1/4" & 3/8" VALVES
4	1	DP3	ENDCAP - DP3, 380 AL, 1/4" & 3/8" VALVE
3	2	BG3	GASKET - END CAP, 1/4" & 3/8" VALVE
2	1	AY-DY3D	SPRING CENTER SPOOL ASSY, DIFFERENTIAL PILOT - D SPOOL, 1/4" & 3/8" VALVES
1	1	B2-1E	BODY - SOLID, BUTTON BLEEDER, ANODIZED, 1/4" SIDE PORT VALVE

LIMITS ON DIMENSIONS UNLESS OTHERWISE SPECIFIED		2-PL DECIMAL ± .01 3-PL DECIMAL ± .005 FRACTIONAL ± 1/64 ANGULAR ± 1/2°	AAA PRODUCTS INTERNATIONAL 7114 Harry Hines Blvd Dallas, TX 75235
DRAWN: RMckenna	DATE: 7/12/2007	CHECKED: KWaite	
SCALE: 1 : 1	SHEET: 1 OF 1	RELEASED: HWomack	DATE: 3/27/2015
TITLE: 1/4" SIDE PORT, DIFF PILOT, 3 POS, SPR CTR, DIFF PLT SHFT, REGEN CTR SPL		PART NO.: DY2D	REV.: C

NO.	DATE	REVISION
C	10/18/2014	CHANGED GASKET TO BG3.
B	4/11/2014	REPLACED SPOOL ASSY PARTS WITH AY-DY3D.
A	3/23/10	REPLACED V-S3 SPR CTR SCREW WITH SHORTER V-S3-DY SPR CTR SCREW.

4 | 3 | 2



THE INFORMATION CONTAINED WITHIN THIS DOCUMENT IS PROPRIETARY TO AAA PRODUCTS AND MAY NOT BE DISCLOSED WITHOUT PRIOR WRITTEN CONSENT

D:\Engineering\Inventory Files\Internal Drawings\Valves Assembly\DiffPilot\DY2D.dwg