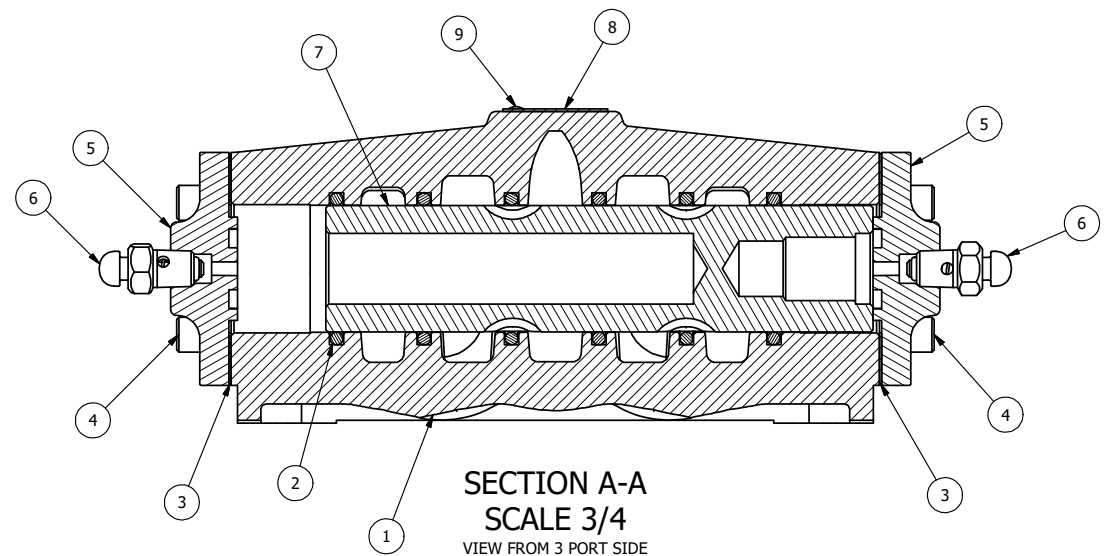


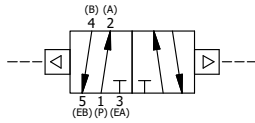
ALIGN PILOT AND HOLE IN GASKET BOTH SIDES (SIDE 'A' SHOWN)

NOTES:
1) ALWAYS GIVE VALVE MODEL AND PART NUMBER WHEN ORDERING PARTS.



| FLG | QTY | PART NO | DESCRIPTION |
|-----|-----|---------|--|
| 9 | 2 | V-212 | SCREW, 2 X 3/16, DRIVE, TYPE U, OVAL HEAD, 316 SS |
| 8 | 1 | AN-115 | BLANK NAMEPLATE FOR HE,KE,KD,RR,D,CR,PP,SR,SS VALVES. |
| 7 | 1 | S8 | SPOOL - STANDARD, 2 POS, CLSD CTR, 3/4" & 1" VALVE |
| 6 | 2 | BB-1S | COMPLETE BUTTON BLEEDER ASSY W/STEEL PLUNGER |
| 5 | 2 | DP48 | ENDCAP - DP48, DIFFERENTIAL PILOT, 380 AL, 1/2", 3/4" & 1" VALVES |
| 4 | 8 | V-46 | SCREW, 1/4-20 X 3/4, SOCKET HEAD CAP |
| 3 | 2 | ECG48-3 | GASKET - END CAP, BUTTON BLEEDER, 1/2", 3/4" & 1" VALVE |
| 2 | 6 | V-30 | O-RING, BUNA-N, 70 DURO, AS-220, (REF 1-3/8 X 1-5/8 X 1/8), 3/4" & 1" VALVES |
| 1 | 1 | B6-1 | BODY, 3/4" SIDE PORT, UPPER PILOTS, ANODIZED |

| | | | | |
|---|----------------------------------|--|--|------------------------------------|
| LIMITS ON DIMENSIONS UNLESS OTHERWISE SPECIFIED | | 2-PL DECIMAL ± .01 3-PL DECIMAL ± .005 FRACTIONAL ± 1/64 ANGULAR ± 1/2° | AAA PRODUCTS INTERNATIONAL 7114 Harry Hines Blvd Dallas, TX 75235 | |
| DRAWN: RHuffstetter SCALE: 3/4 | DATE: 7/19/2001 SHEET: 1 OF 1 | CHECKED: KWaitte RELEASED: HWomack | | DATE: 3/27/2015 DATE: 3/27/2015 |
| TITLE: 3/4" SIDE PORT, DIFF PILOT, 2 POS, FRICTION POS, DIFF PILOT RTRN | | | PART NO.: D6 | REV.: A |



| NO. | DATE | REVISION |
|-----|-----------|----------------------------|
| A | 3/13/2015 | CHANGED GASKET TO ECG48-3. |

THE INFORMATION CONTAINED WITHIN THIS DOCUMENT IS PROPRIETARY TO AAA PRODUCTS AND MAY NOT BE DISCLOSED WITHOUT PRIOR WRITTEN CONSENT