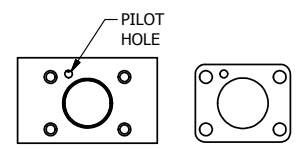
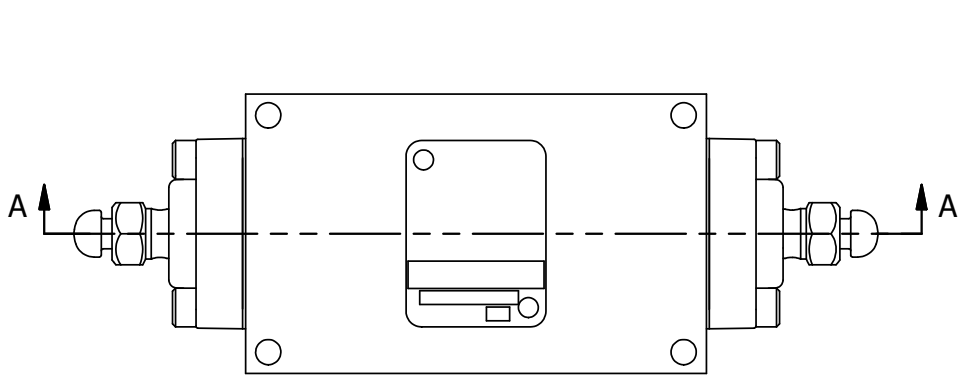
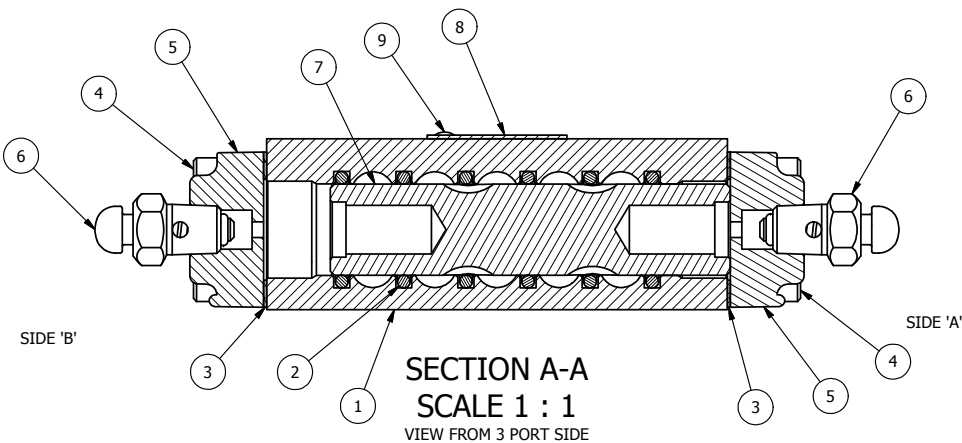


4 | 3 | 2 | 1



ALIGN PILOT HOLE AND GASKET HOLE BOTH SIDES (SIDE 'A' SHOWN)

NOTES:
1) ALWAYS GIVE VALVE MODEL AND PART NUMBER WHEN ORDERING PARTS.



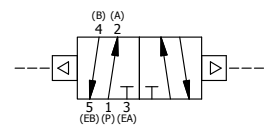
FLG	QTY	PART NO	DESCRIPTION
9	2	V-212	SCREW, #2 X 3/16 DRIVE, TYPE U, OVAL HEAD, 316 STAINLESS STEEL
8	1	AN-115	BLANK NAMEPLATE FOR HE,KE,KD,RR,D,CR,PP,SR,SS VALVES.
7	1	S3R	SPOOL - SOLID, STANDARD, 2 POS, CLSD CTR, 1/4" & 3/8" VALVE
6	2	BB-1S	COMPLETE BUTTON BLEEDER ASSY W/STEEL PLUNGER
5	2	DP3	ENDCAP - DP3, 380 AL, 1/4" & 3/8" VALVE
4	8	V-38	SCREW, 10-24 X 3/4 SHCS, FOR 3/8" CAST END CAP
3	2	BG3	GASKET - END CAP, 1/4" & 3/8" VALVE
2	6	V-39	O-RING, STD BODY, VITON, 1/4" & 3/8" VALVES
1	1	B3-1E	BODY - SOLID, BUTTON BLEEDER, ANODIZED, 3/8" SIDE PORT VALVE

LIMITS ON DIMENSIONS
UNLESS OTHERWISE SPECIFIED
2-PL DECIMAL ± .01
3-PL DECIMAL ± .005
FRACTIONAL ± 1/64
ANGULAR ± 1/2°



DRAWN: RHuffstetter DATE: 5/3/1999 CHECKED: KWaite DATE: 3/27/2015
SCALE: 1 : 1 SHEET: 1 OF 1 RELEASED: HWomack DATE: 3/27/2015

TITLE: 3/8" SIDE PORT, DIFF PILOT, 2 POS, FRICTION POS, DIFF PLT RTRN	PART NO.: D3	REV.: D
---	------------------------	-------------------



NO.	DATE	REVISION
D	10/17/2014	CHANGED GASKETS BACK TO BG3.
C	3/17/06	CHANGED GASKET FROM BG3 TO ECG3
B	7/20/05	CHANGED GASKET FROM NEG3 TO BG3
A	4/20/99	REDRAWN AND CONV TO CAD

4 | 3 | 2

THE INFORMATION CONTAINED WITHIN THIS DOCUMENT IS PROPRIETARY TO AAA PRODUCTS AND MAY NOT BE DISCLOSED WITHOUT PRIOR WRITTEN CONSENT

P:\Engineering\Inventory Files\Internal Drawings\Valves Assembly\DiffPilot\DDD3.dwg