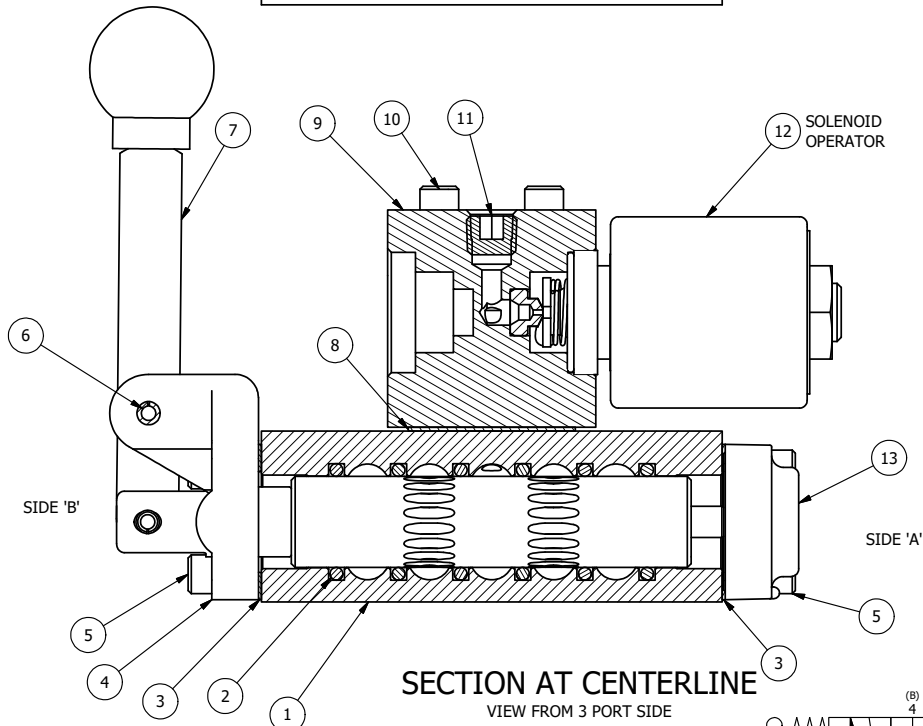
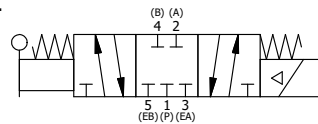


NOTES:  
 1) ALWAYS GIVE VALVE MODEL AND PART NUMBER WHEN ORDERING PARTS.  
 2) FOR DIFFERENT VOLTAGES OTHER THAN 120/60, REPLACE SOLENOID OPERATOR WITH OPERATOR LISTED IN TABLE BELOW. REFERENCE AY-38ED DRAWING FOR REPLACEMENT COILS.



SECTION AT CENTERLINE  
 VIEW FROM 3 PORT SIDE



15	2	V-212	SCREW, #2 X 3/16 DRIVE, TYPE U, OVAL HEAD, STAINLESS STEEL
14	1	AN-114	NAMEPLATE, BLANK, FOR VALVES WITH SPRINGS OR DETENTS
13	1	AY-SYH3	ASSY - SPR CTR, CLSD CTR SPL, CLSD VENT, LEVER ASST, 1/4" & 3/8" VALVES
12	1	AY-38ED-11	CLASSIC SOLENOID - ISO 4400 DIN, 120/60
11	1	V-19	PLUG, 1/8-27 NPT, 7/8 TAPER, FLUSH SEAL, SOCKET PIPE PLUG W/LOCTITE RED VIBRA-SEAL
10	4	V-1	SCREW, 10-24 X 2, SOCKET HEAD CAP
9	1	PB3-1E	ADAPTOR - SINGLE SOLENOID, 1/4" & 3/8" VALVES
8	1	PBG3-1	GASKET - PIGGY BACK, SINGLE SOLENOID, 1/4" & 3/8" VALVE
7	1	HL3-24	HAND LEVER WITH KNOB, 1/4" & 3/8" VALVE
6	1	V-7	PIN, ROLL 3/16 X 11/16, STEEL, FOR 1/4 THRU 1/2" HAND, FT & CAM V
5	8	V-38	SCREW, 10-24 X 3/4, SOCKET HEAD CAP
4	1	HE3-1	END CAP, LEVER, 380 AL, 1/4" & 3/8" VALVE
3	2	ECG3	GASKET - END CAP, 1/4" & 3/8" VALVE
2	6	V-39	O-RING, VITON, STD BODY, 1/4" & 3/8" VALVES
1	1	B2-6E	BODY - SOLID, PIGGY BACK, ANODIZED, 1/4" SIDE PORT VALVE
FLG	QTY	PART NO	DESCRIPTION

LIMITS ON DIMENSIONS UNLESS OTHERWISE SPECIFIED		2-PL DECIMAL ± .01 3-PL DECIMAL ± .005 FRACTIONAL ± 1/64 ANGULAR ± 1/2°		<b>AAA PRODUCTS INTERNATIONAL</b> 7114 Harry Hines Blvd Dallas, TX 75235								
DRAWN: RMckenna		DATE: 6/8/2024										
SCALE: 1 : 1		SHEET: 1 OF 1		CHECKED: KWaite DATE: 6/8/2024								
OPERATOR VOLTAGES <table border="1"> <tr> <th>PART NO</th> <th>REPLACE OPERATOR</th> </tr> <tr> <td>SYHZED 12VDC</td> <td>AY-38ED-5</td> </tr> <tr> <td>SYHZED 24VDC</td> <td>AY-38ED-8</td> </tr> <tr> <td>SYHZED 240/60</td> <td>AY-38ED-17</td> </tr> </table>		PART NO	REPLACE OPERATOR	SYHZED 12VDC	AY-38ED-5	SYHZED 24VDC	AY-38ED-8	SYHZED 240/60	AY-38ED-17	TITLE: <b>1/4" SIDE PORT, SNGL SOL, 3 POS, CLSD SPR CTR, LEVER SHIFT, ISO 4400 DIN, 120/60</b>		PART NO.: <b>SYHZED</b>
PART NO	REPLACE OPERATOR											
SYHZED 12VDC	AY-38ED-5											
SYHZED 24VDC	AY-38ED-8											
SYHZED 240/60	AY-38ED-17											
THE INFORMATION CONTAINED WITHIN THIS DOCUMENT IS PROPRIETARY TO AAA PRODUCTS AND MAY NOT BE DISCLOSED WITHOUT PRIOR WRITTEN CONSENT				REV.:								

P:\Engineering\Products\Valves\Assembly\Classics\38ED\DWG\SYHZED.dwg