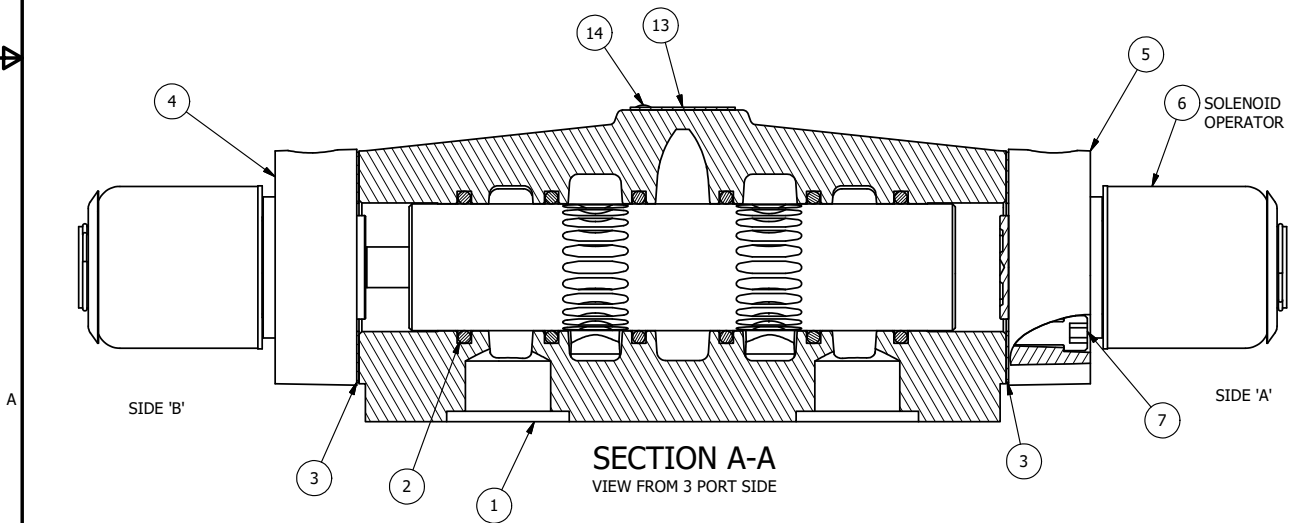


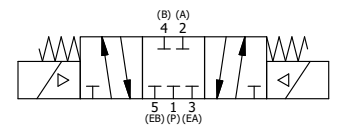
ALIGN PILOT AND HOLE IN GASKET, BOTH SIDES.
 FOR EXTERNAL PILOT OPERATION - ROTATE THE
 ROUND ALUMINUM ADAPTOR 90 OR 180 DEGREES.
 REMOVE 1/8" NPTF PLUG AND SUPPLY 50-160 PSI TO
 1/8" NPTF PILOT PORT IN ADAPTOR.

NOTES:
 1) ALWAYS GIVE VALVE MODEL AND PART NUMBER WHEN ORDERING PARTS.
 2) FOR DIFFERENT VOLTAGES OTHER THAN 120/60, REPLACE SOLENOID
 OPERATOR WITH OPERATOR LISTED IN TABLE BELOW.



15	1	SPK-8	KIT - SUBPLATE MOUNT, 1" SUBPLATE VALVES
14	2	V-212	SCREW, #2 X 3/16 DRIVE, TYPE U, OVAL HEAD, STAINLESS STEEL
13	1	AN-114	NAMEPLATE, BLANK, FOR VALVES WITH SPRINGS OR DETENTS
12	2	V-81	SCREW, 8-32 X 5/16, SOCKET SET, FULL DOG POINT
11	4	V-85	O-RING, BUNA-N, 70 DURO, AS-010, (REF 1/4 X 3/8 X 1/16), CLASSIC OVRD
10	2	OS3	SPRING - MANUAL OVERRIDE, "CLASSIC" SOLENOID
9	2	OP4	PIN , MANUAL OVERRIDE, 1/2", 3/4" & 1" VALVES
8	3	V-19	PLUG, SOCKET PIPE 1/8" NPT, 7/8 TAPER, FLUSH SEAL
7	8	V-47	SCREW, 1/4-20 X 1, SOCKET HEAD CAP
6	2	AY-38X-11	CLASSIC SOLENOID - EXPLOSION PROOF, 120/60VAC, 38.5VDC, 110/50VAC
5	1	SSA48-O	ADAPTOR, 'A' SIDE, CLASSIC SOL., OVERRIDE, 1/2", 3/4" & 1" VALVE
4	1	AY-SY80-LSO	SPRING CENTER SPOOL ASSY, SOLENOID - OVERRIDE, 3/4 & 1 VALVE
3	2	ECG48	GASKET - END CAP, 1/2", 3/4" & 1" VALVE
2	6	V-30	O-RING, BUNA-N, 70 DURO, AS-220, (REF 1-3/8 X 1-5/8 X 1/8), 3/4" & 1" VALVES
1	1	BP8-1	BODY, 1" SUBPLATE, UPPER PILOTS, ANODIZED
FLG	QTY	PART NO	DESCRIPTION

LIMITS ON DIMENSIONS UNLESS OTHERWISE SPECIFIED		2-PL DECIMAL ± .01 3-PL DECIMAL ± .005 FRACTIONAL ± 1/64 ANGULAR ± 1/2°	AAA PRODUCTS INTERNATIONAL 7114 Harry Hines Blvd Dallas, TX 75235								
DRAWN: RMckenna	DATE: 2/9/2016	CHECKED: KWaite		DATE: 2/9/2016							
SCALE: 1 : 1	SHEET: 1 OF 1	RELEASED: HWormack	DATE: 2/9/2016								
TITLE: 1" SUBPLATE, DBL SOL, 3 POS, SPR CTR, SOL SHFT, CLSD CTR SPL, EXPL PROOF, 120/60, LCKNG OVRD			PART NO.: SY8PXO								
OPERATOR VOLTAGES <table border="1"> <thead> <tr> <th>PART NO</th> <th>REPLACE OPERATOR</th> </tr> </thead> <tbody> <tr> <td>SY8PXO 240/60</td> <td>AY-38X-17</td> </tr> <tr> <td>SY8PXO 24VDC</td> <td>AY-38X-8</td> </tr> <tr> <td>SY8PXO 12VDC</td> <td>AY-38X-5</td> </tr> </tbody> </table>			PART NO	REPLACE OPERATOR	SY8PXO 240/60	AY-38X-17	SY8PXO 24VDC	AY-38X-8	SY8PXO 12VDC	AY-38X-5	REV.:
PART NO	REPLACE OPERATOR										
SY8PXO 240/60	AY-38X-17										
SY8PXO 24VDC	AY-38X-8										
SY8PXO 12VDC	AY-38X-5										



THE INFORMATION CONTAINED WITHIN THIS DOCUMENT IS PROPRIETARY TO AAA PRODUCTS AND MAY NOT BE DISCLOSED WITHOUT PRIOR WRITTEN CONSENT

P:\Engineering\product\valves\assembly\classics\SY8PXO.dwg