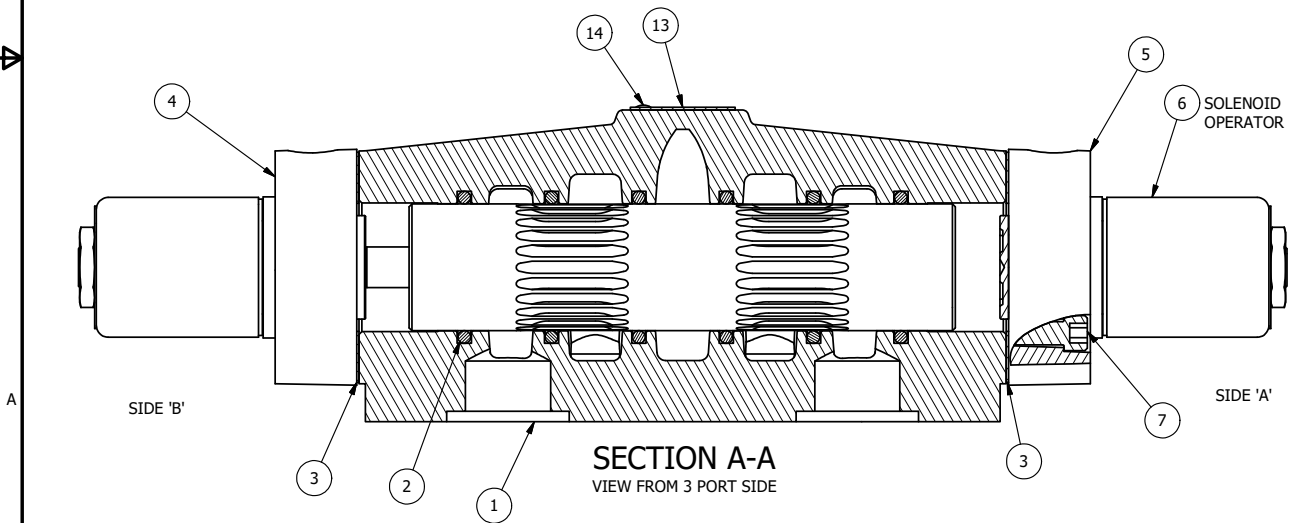


ALIGN PILOT AND HOLE IN GASKET, BOTH SIDES.
 FOR EXTERNAL PILOT OPERATION - ROTATE THE
 ROUND ALUMINUM ADAPTOR 90 OR 180 DEGREES.
 REMOVE 1/8" NPTF PLUG AND SUPPLY 50-160 PSI TO
 1/8" NPTF PILOT PORT IN ADAPTOR.

NOTES:
 1) ALWAYS GIVE VALVE MODEL AND PART NUMBER WHEN ORDERING PARTS.
 2) FOR DIFFERENT VOLTAGES OTHER THAN 120/60, REPLACE SOLENOID
 OPERATOR WITH OPERATOR LISTED IN TABLE BELOW. REFERENCE AY-38
 DRAWING FOR REPLACEMENT COILS.



SECTION A-A
 VIEW FROM 3 PORT SIDE

| | | | |
|-----|-----|--------------|--|
| 15 | 1 | SPK-8 | KIT - SUBPLATE MOUNT, 1" SUBPLATE VALVES |
| 14 | 2 | V-212 | SCREW, #2 X 3/16 DRIVE, TYPE U, OVAL HEAD, STAINLESS STEEL |
| 13 | 1 | AN-114 | NAMEPLATE, BLANK, FOR VALVES WITH SPRINGS OR DETENTS |
| 12 | 2 | V-81 | SCREW, 8-32 X 5/16, SOCKET SET, FULL DOG POINT |
| 11 | 4 | V-85 | O-RING, BUNA-N, 70 DURO, AS-010, (REF 1/4 X 3/8 X 1/16), CLASSIC OVRD |
| 10 | 2 | OS3 | SPRING - MANUAL OVERRIDE, "CLASSIC" SOLENOID |
| 9 | 2 | OP4 | PIN , MANUAL OVERRIDE, 1/2", 3/4" & 1" VALVES |
| 8 | 3 | V-19 | PLUG, SOCKET PIPE 1/8" NPT (#601-3 PITTSBURG PLUG PART #.) |
| 7 | 8 | V-47 | SCREW, 1/4-20 X 1, SOCKET HEAD CAP |
| 6 | 2 | AY-38-11 | CLASSIC SOLENOID - STANDARD, COMPLETE OPERATOR, 120/60 |
| 5 | 1 | SSA48-O | ADAPTOR, 'A' SIDE, CLASSIC SOL., OVERRIDE, 1/2", 3/4" & 1" VALVE |
| 4 | 1 | AY-SY8GO-LSO | ASSY - SPR CTR, FLOAT CTR SPL, CLSC SOL, LESS OPER, LCKG OVRD, 3/4" & 1" VALVE |
| 3 | 2 | ECG48 | GASKET - END CAP, 1/2", 3/4" & 1" VALVE |
| 2 | 6 | V-30 | O-RING, BUNA-N, 70 DURO, AS-220, (REF 1-3/8 X 1-5/8 X 1/8), 3/4" & 1" VALVES |
| 1 | 1 | BP8-1 | BODY, 1" SUBPLATE, UPPER PILOTS, ANODIZED |
| FLG | QTY | PART NO | DESCRIPTION |

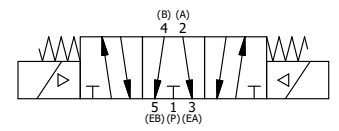
LIMITS ON DIMENSIONS
 UNLESS OTHERWISE SPECIFIED
 2-PL DECIMAL ± .01
 3-PL DECIMAL ± .005
 FRACTIONAL ± 1/64
 ANGULAR ± 1/2°

AAA PRODUCTS INTERNATIONAL
 7114 Harry Hines Blvd
 Dallas, TX 75235

DRAWN: RMckenna DATE: 10/12/2015 CHECKED: KWaite DATE: 10/12/2015
 SCALE: 1:1 SHEET: 1 OF 1 RELEASED: HWormack DATE: 10/12/2015

| OPERATOR VOLTAGES | |
|-------------------|------------------|
| PART NO | REPLACE OPERATOR |
| SY8PGO 240/60 | AY-38-17 |
| SY8PGO 24VDC | AY-38-8 |
| SY8PGO 12VDC | AY-38-5 |

| | | |
|--|---------------------|-------|
| TITLE: 1" SUBPLATE, DBL SOL, 3 POS, SPR CTR, FLOAT CTR SPL, CLASSIC SOL, 120/60, LCKNG OVRD | PART NO.: SY8PGO | REV.: |
|--|---------------------|-------|



THE INFORMATION CONTAINED WITHIN THIS DOCUMENT IS PROPRIETARY TO AAA PRODUCTS AND MAY NOT BE DISCLOSED WITHOUT PRIOR WRITTEN CONSENT

P:\Engineering\product\Valve Assembly\Classic\SY8PGO\SY8PGO.dwg