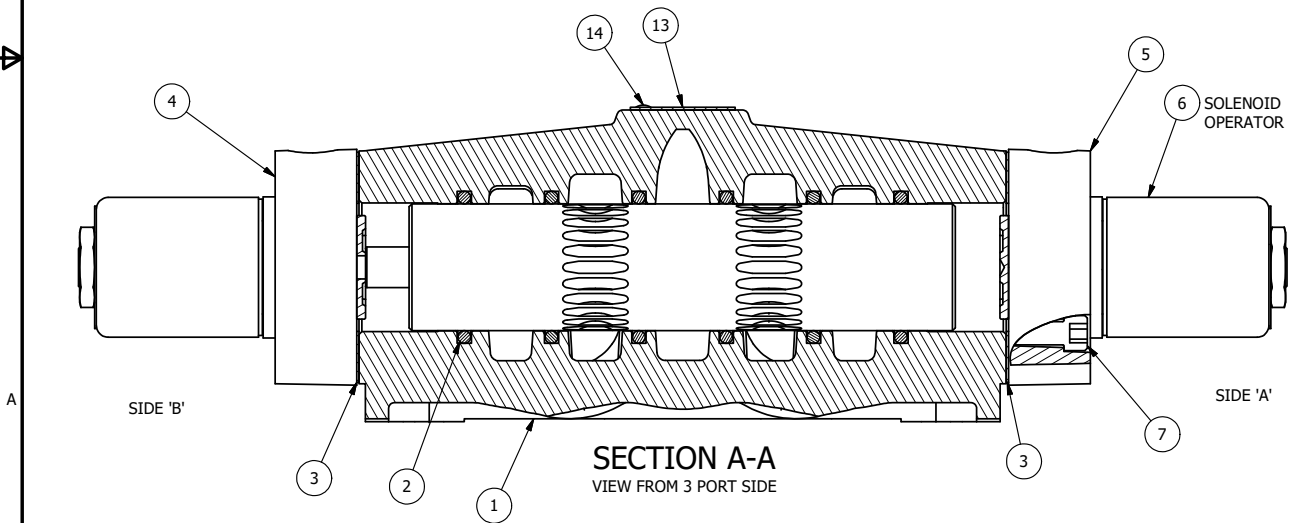


ALIGN PILOT AND HOLE IN GASKET, BOTH SIDES.  
 FOR EXTERNAL PILOT OPERATION - ROTATE THE ROUND ALUMINUM ADAPTOR 90 OR 180 DEGREES.  
 REMOVE 1/8" NPTF PLUG AND SUPPLY 50-160 PSI TO 1/8" NPTF PILOT PORT IN ADAPTOR.

NOTES:  
 1) ALWAYS GIVE VALVE MODEL AND PART NUMBER WHEN ORDERING PARTS.  
 2) FOR DIFFERENT VOLTAGES OTHER THAN 120/60, REPLACE SOLENOID OPERATOR WITH OPERATOR LISTED IN TABLE BELOW. REFERENCE AY-38T DRAWING FOR REPLACEMENT COILS.



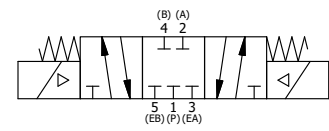
|     |     |              |                                                                              |
|-----|-----|--------------|------------------------------------------------------------------------------|
| 14  | 2   | V-212        | SCREW, #2 X 3/16 DRIVE, TYPE U, OVAL HEAD, STAINLESS STEEL                   |
| 13  | 1   | AN-114       | NAMEPLATE, BLANK, FOR VALVES WITH SPRINGS OR DETENTS                         |
| 12  | 2   | V-81         | SCREW, 8-32 X 5/16, SOCKET SET, FULL DOG POINT                               |
| 11  | 4   | V-85         | O-RING, BUNA-N, 70 DURO, AS-010, (REF 1/4 X 3/8 X 1/16), CLASSIC OVRD        |
| 10  | 2   | OS3W         | SPRING - OVERRIDE RETURN, "CLASSIC" SOLENOID                                 |
| 9   | 2   | OP4-W        | OVERRIDE PIN, SPRING RETURN, 1/2", 3/4" & 1" VALVE                           |
| 8   | 2   | V-19         | PLUG, SOCKET PIPE 1/8" NPT (#601-3 PITTSBURG PLUG PART #.)                   |
| 7   | 8   | V-47         | SCREW, 1/4-20 X 1, SOCKET HEAD CAP                                           |
| 6   | 2   | AY-38T-11    | CLASSIC SOLENOID - STANDARD, COMPLETE OPER, TAPPED EXH., 120/60              |
| 5   | 1   | SSA48-OW     | ADAPTOR, 'A' SIDE, CLASSIC SOL., NON-LOCKING OVERRIDE, 1/2", 3/4" & 1" VALVE |
| 4   | 1   | AY-SY8ON-LSO | SPRING CENTER SPOOL ASSY, OVERRIDE SPR. RET., LESS OPR., 3/4 & 1 VALVE       |
| 3   | 2   | ECG48        | GASKET - END CAP, 1/2", 3/4" & 1" VALVE                                      |
| 2   | 6   | V-30         | O-RING, BUNA-N, 70 DURO, AS-220, (REF 1-3/8 X 1-5/8 X 1/8), 3/4" & 1" VALVES |
| 1   | 1   | B8-1         | BODY, 1" SIDE PORT, UPPER PILOTS, ANODIZED                                   |
| FLG | QTY | PART NO      | DESCRIPTION                                                                  |

LIMITS ON DIMENSIONS  
 UNLESS OTHERWISE SPECIFIED  
 2-PL DECIMAL ± .01  
 3-PL DECIMAL ± .005  
 FRACTIONAL ± 1/64  
 ANGULAR ± 1/2°

**AAA PRODUCTS INTERNATIONAL**  
 7114 Harry Hines Blvd  
 Dallas, TX 75235

|                                                                                                        |                |                            |                |
|--------------------------------------------------------------------------------------------------------|----------------|----------------------------|----------------|
| DRAWN: RMckenna                                                                                        | DATE: 5/3/2020 | CHECKED: KWaite            | DATE: 5/3/2020 |
| SCALE: 1 : 1                                                                                           | SHEET: 1 OF 1  | RELEASED: HWormack         | DATE: 5/3/2020 |
| TITLE:<br><b>1" SIDE PORT, DBL SOL, 3 POS, CLSD SPR CTR, CLASSIC, 120/60, NON-LCKNG OVRD, TPD VENT</b> |                | PART NO.:<br><b>SY8ONT</b> | REV.:          |

| OPERATOR VOLTAGES |                  |
|-------------------|------------------|
| PART NO           | REPLACE OPERATOR |
| SY8ONT 12VDC      | AY-38T-5         |
| SY8ONT 24VDC      | AY-38T-8         |
| SY8ONT 240/60     | AY-38T-17        |



THE INFORMATION CONTAINED WITHIN THIS DOCUMENT IS PROPRIETARY TO AAA PRODUCTS AND MAY NOT BE DISCLOSED WITHOUT PRIOR WRITTEN CONSENT

P:\Engineering\product\Valve Assembly\Classic\SY8ONT\SY8ONT.dwg