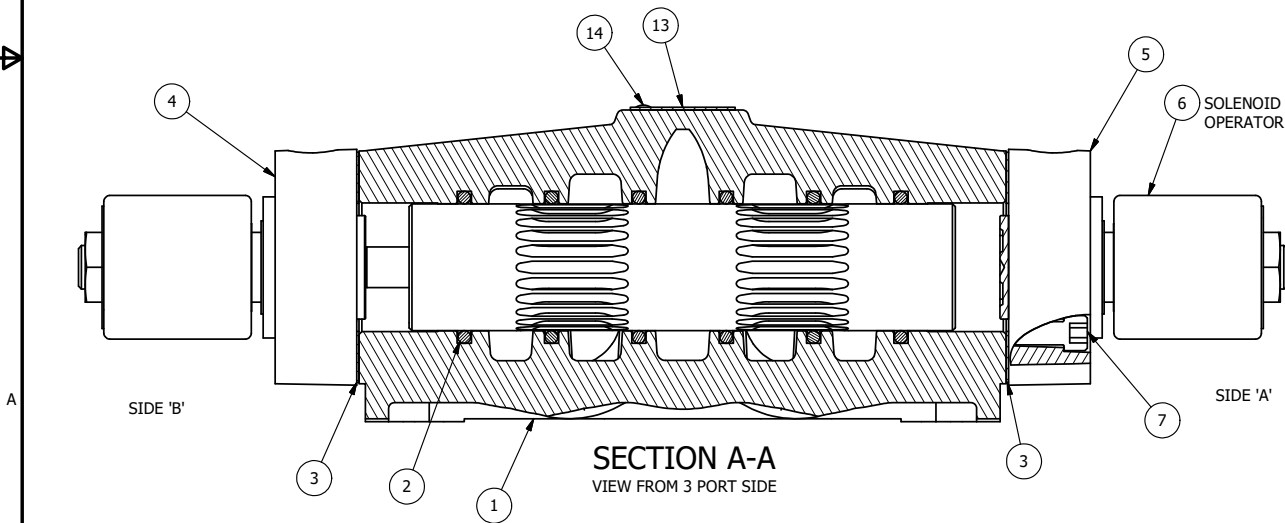


ALIGN PILOT AND HOLE IN GASKET, BOTH SIDES.  
 FOR EXTERNAL PILOT OPERATION - ROTATE THE  
 ROUND ALUMINUM ADAPTOR 90 OR 180 DEGREES.  
 REMOVE 1/8" NPTF PLUG AND SUPPLY 50-160 PSI TO  
 1/8" NPTF PILOT PORT IN ADAPTOR.

NOTES:  
 1) ALWAYS GIVE VALVE MODEL AND PART NUMBER WHEN ORDERING PARTS.  
 2) FOR DIFFERENT VOLTAGES OTHER THAN 120/60, REPLACE SOLENOID  
 OPERATOR WITH OPERATOR LISTED IN TABLE BELOW. REFERENCE AY-38EDT  
 DRAWING FOR REPLACEMENT COILS.



SECTION A-A  
 VIEW FROM 3 PORT SIDE

|     |     |              |  |
|-----|-----|--------------|--|
| 14  | 2   | V-212        | SCREW, #2 X 3/16 DRIVE, TYPE U, OVAL HEAD, STAINLESS STEEL                     |
| 13  | 1   | AN-114       | NAMEPLATE, BLANK, FOR VALVES WITH SPRINGS OR DETENTS                           |
| 12  | 2   | V-81         | SCREW, 8-32 X 5/16, SOCKET SET, FULL DOG POINT                                 |
| 11  | 4   | V-85         | O-RING, BUNA-N, 70 DURO, AS-010, (REF 1/4 X 3/8 X 1/16), CLASSIC OVRD          |
| 10  | 2   | OS3          | SPRING - MANUAL OVERRIDE, "CLASSIC" SOLENOID                                   |
| 9   | 2   | OP4          | PIN , MANUAL OVERRIDE, 1/2", 3/4" & 1" VALVES                                  |
| 8   | 3   | V-19         | PLUG, SOCKET PIPE 1/8" NPT (#601-3 PITTSBURG PLUG PART #.)                     |
| 7   | 8   | V-47         | SCREW, 1/4-20 X 1, SOCKET HEAD CAP   |
| 6   | 2   | AY-38EDT-11  | CLASSIC SOLENOID - ISO 4400 DIN, 1/8" NPTF SOL EXHST, 120/60                   |
| 5   | 1   | SSA48-O      | ADAPTOR, 'A' SIDE, CLASSIC SOL., OVERRIDE, 1/2", 3/4" & 1" VALVE               |
| 4   | 1   | AY-SY8GO-LSO | ASSY - SPR CTR, FLOAT CTR SPL, CLSC SOL, LESS OPER, LCKG OVRD, 3/4" & 1" VALVE |
| 3   | 2   | ECG48        | GASKET - END CAP, 1/2", 3/4" & 1" VALVE  |
| 2   | 6   | V-30         | O-RING, BUNA-N, 70 DURO, AS-220, (REF 1-3/8 X 1-5/8 X 1/8), 3/4" & 1" VALVES   |
| 1   | 1   | B8-1         | BODY, 1" SIDE PORT, UPPER PILOTS, ANODIZED                                     |
| FLG | QTY | PART NO      | DESCRIPTION  |

LIMITS ON DIMENSIONS  
 UNLESS OTHERWISE SPECIFIED  
 2-PL DECIMAL ± .01  
 3-PL DECIMAL ± .005  
 FRACTIONAL ± 1/64  
 ANGULAR ± 1/2°

**AAA PRODUCTS INTERNATIONAL**  
 7114 Harry Hines Blvd  
 Dallas, TX 75235

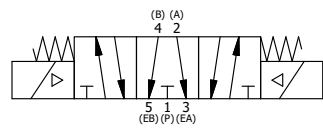
DRAWN: RMckenna DATE: 4/25/2020 CHECKED: KWaite DATE: 4/25/2020  
 SCALE: 1 : 1 SHEET: 1 OF 1 RELEASED: HWormack DATE: 4/25/2020

| OPERATOR VOLTAGES |                  |
|-------------------|------------------|
| PART NO           | REPLACE OPERATOR |
| SY8GEDOT 12VDC    | AY-38EDT-5       |
| SY8GEDOT 24VDC    | AY-38EDT-8       |
| SY8GEDOT 240/60   | AY-38EDT-17      |

TITLE:  
**1" SIDE PORT, DBL SOL, 3 POS,  
 FLOAT SPR CTR, ISO 4400 DIN, 120/60,  
 LCKNG OVRD, TPD VENT**

PART NO.:  
**SY8GEDOT**

REV.:



THE INFORMATION CONTAINED WITHIN THIS DOCUMENT IS PROPRIETARY TO AAA PRODUCTS AND MAY NOT BE DISCLOSED WITHOUT PRIOR WRITTEN CONSENT