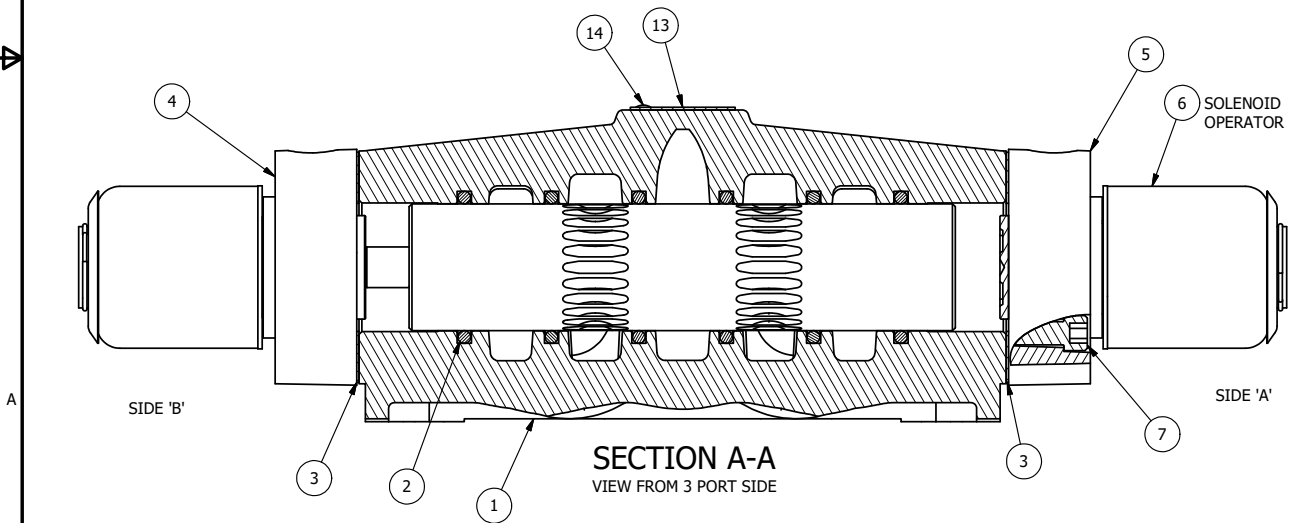


ALIGN PILOT AND HOLE IN GASKET, BOTH SIDES.
 FOR EXTERNAL PILOT ADAPTOR - ROTATE THE
 ROUND ALUMINUM ADAPTOR 90 OR 180 DEGREES.
 REMOVE 1/8" NPTF PLUG AND SUPPLY 50-160 PSI TO
 1/8" NPTF PILOT PORT IN ADAPTOR.

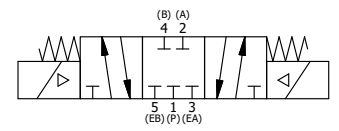
NOTES:
 1) ALWAYS GIVE VALVE MODEL AND PART NUMBER WHEN ORDERING PARTS.
 2) FOR DIFFERENT VOLTAGES OTHER THAN 120/60, REPLACE SOLENOID
 OPERATOR WITH OPERATOR LISTED IN TABLE BELOW.



SECTION A-A
 VIEW FROM 3 PORT SIDE

| | | | |
|-----|-----|-------------|--|
| 14 | 2 | V-212 | SCREW, #2 X 3/16 DRIVE, TYPE U, OVAL HEAD, STAINLESS STEEL |
| 13 | 1 | AN-114 | NAMEPLATE, BLANK, FOR VALVES WITH SPRINGS OR DETENTS |
| 12 | 2 | V-81 | SCREW, 8-32 X 5/16, SOCKET SET, FULL DOG POINT |
| 11 | 4 | V-85 | O-RING, BUNA-N, 70 DURO, AS-010, (REF 1/4 X 3/8 X 1/16), CLASSIC OVRD |
| 10 | 2 | OS3 | SPRING - MANUAL OVERRIDE, "CLASSIC" SOLENOID |
| 9 | 2 | OP4 | PIN , MANUAL OVERRIDE, 1/2", 3/4" & 1" VALVES |
| 8 | 3 | V-19 | PLUG, SOCKET PIPE 1/8" NPT, 7/8 TAPER, FLUSH SEAL |
| 7 | 8 | V-47 | SCREW, 1/4-20 X 1, SOCKET HEAD CAP |
| 6 | 2 | AY-38X-11 | CLASSIC SOLENOID - EXPLOSION PROOF, 120/60VAC, 38.5VDC, 110/50VAC |
| 5 | 1 | SSA48-O | ADAPTOR, 'A' SIDE, CLASSIC SOL., OVERRIDE, 1/2", 3/4" & 1" VALVE |
| 4 | 1 | AY-SY80-LSO | SPRING CENTER SPOOL ASSY, SOLENOID - OVERRIDE, 3/4 & 1 VALVE |
| 3 | 2 | ECG48 | GASKET - END CAP, 1/2", 3/4" & 1" VALVE |
| 2 | 6 | V-30 | O-RING, BUNA-N, 70 DURO, AS-220, (REF 1-3/8 X 1-5/8 X 1/8), 3/4" & 1" VALVES |
| 1 | 1 | B6-1 | BODY, 3/4" SIDE PORT, UPPER PILOTS, ANODIZED |
| FLG | QTY | PART NO | DESCRIPTION |

| LIMITS ON DIMENSIONS UNLESS OTHERWISE SPECIFIED | | 2-PL DECIMAL ± .01 3-PL DECIMAL ± .005 FRACTIONAL ± 1/64 ANGULAR ± 1/2° | AAA PRODUCTS INTERNATIONAL 7114 Harry Hines Blvd Dallas, TX 75235 | | | | | | | | |
|--|------------------|--|--|------------------|--------------|-----------|-------------|----------|-------------|----------|-------|
| DRAWN: RMckenna | DATE: 2/9/2016 | CHECKED: KWaite | | DATE: 2/9/2016 | | | | | | | |
| SCALE: 1 : 1 | SHEET: 1 OF 1 | RELEASED: HWormack | DATE: 2/9/2016 | | | | | | | | |
| TITLE: 3/4" SIDE PORT, DBL SOL, 3 POS, SPR CTR, SOL SHFT, CLSD CTR SPL, EXPL PROOF, 120/60, LCKNG OVRD | | | PART NO.: SY6XO | | | | | | | | |
| OPERATOR VOLTAGES <table border="1"> <tr> <th>PART NO</th> <th>REPLACE OPERATOR</th> </tr> <tr> <td>SY6XO 240/60</td> <td>AY-38X-17</td> </tr> <tr> <td>SY6XO 24VDC</td> <td>AY-38X-8</td> </tr> <tr> <td>SY6XO 12VDC</td> <td>AY-38X-5</td> </tr> </table> | | | PART NO | REPLACE OPERATOR | SY6XO 240/60 | AY-38X-17 | SY6XO 24VDC | AY-38X-8 | SY6XO 12VDC | AY-38X-5 | REV.: |
| PART NO | REPLACE OPERATOR | | | | | | | | | | |
| SY6XO 240/60 | AY-38X-17 | | | | | | | | | | |
| SY6XO 24VDC | AY-38X-8 | | | | | | | | | | |
| SY6XO 12VDC | AY-38X-5 | | | | | | | | | | |



| OPERATOR VOLTAGES | |
|-------------------|------------------|
| PART NO | REPLACE OPERATOR |
| SY6XO 240/60 | AY-38X-17 |
| SY6XO 24VDC | AY-38X-8 |
| SY6XO 12VDC | AY-38X-5 |

THE INFORMATION CONTAINED WITHIN THIS DOCUMENT IS PROPRIETARY TO AAA PRODUCTS AND MAY NOT BE DISCLOSED WITHOUT PRIOR WRITTEN CONSENT

C:\Engineering\product\valves\assembly\classics\SY6XO\SY6XO.dwg