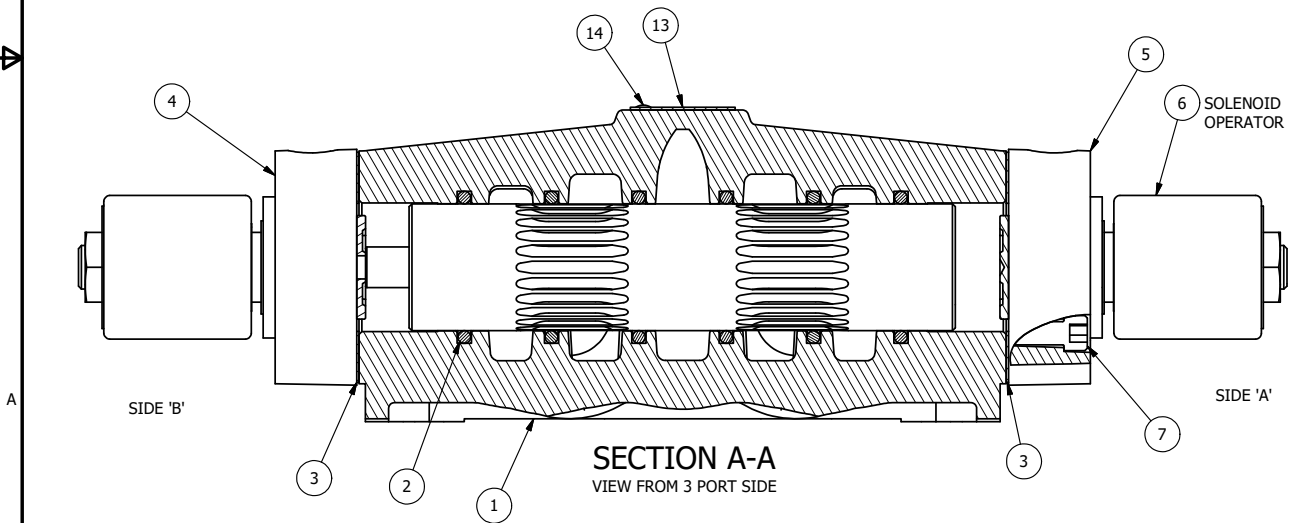


ALIGN PILOT AND HOLE IN GASKET, BOTH SIDES.
 FOR EXTERNAL PILOT OPERATION - ROTATE THE
 ROUND ALUMINUM ADAPTOR 90 OR 180 DEGREES.
 REMOVE 1/8" NPTF PLUG AND SUPPLY 50-160 PSI TO
 1/8" NPTF PILOT PORT IN ADAPTOR.

NOTES:
 1) ALWAYS GIVE VALVE MODEL AND PART NUMBER WHEN ORDERING PARTS.
 2) FOR DIFFERENT VOLTAGES OTHER THAN 120/60, REPLACE SOLENOID
 OPERATOR WITH OPERATOR LISTED IN TABLE BELOW. REFERENCE AY-38ED
 DRAWING FOR REPLACEMENT COILS.



SECTION A-A
 VIEW FROM 3 PORT SIDE

14	2	V-212	SCREW, #2 X 3/16 DRIVE, TYPE U, OVAL HEAD, STAINLESS STEEL
13	1	AN-114	NAMEPLATE, BLANK, FOR VALVES WITH SPRINGS OR DETENTS
12	2	V-81	SCREW, 8-32 X 5/16, SOCKET SET, FULL DOG POINT
11	2	V-85	O-RING, BUNA-N, 70 DURO, AS-010, (REF 1/4 X 3/8 X 1/16), CLASSIC OVRD
10	2	OS3	SPRING - MANUAL OVERRIDE, "CLASSIC" SOLENOID
9	2	POP-3	OVERRIDE, PUSH PIN, 303 STAINLESS, 1/4" & 3/8" VALVE
8	2	V-19	PLUG, SOCKET PIPE 1/8" NPT (#601-3 PITTSBURG PLUG PART #.)
7	8	V-47	SCREW, 1/4-20 X 1, SOCKET HEAD CAP
6	2	AY-38ED-11	CLASSIC SOLENOID - ISO 4400 DIN, 120/60
5	1	SSA48-OP	ADAPTOR, 'A' SIDE, CLASSIC SOL., POP PIN OVERRIDE, 1/2", 3/4" & 1" VALVE
4	1	AY-SY8GOP-LSO	ASSY - SPR CTR, FLOAT CTR SPL, CLSC SOL, LESS OPER, PUSH OVRD, 3/4" & 1" VALVE
3	2	ECG48	GASKET - END CAP, 1/2", 3/4" & 1" VALVE
2	6	V-30	O-RING, BUNA-N, 70 DURO, AS-220, (REF 1-3/8 X 1-5/8 X 1/8), 3/4" & 1" VALVES
1	1	B6-1	BODY, 3/4" SIDE PORT, UPPER PILOTS, ANODIZED
FLG	QTY	PART NO	DESCRIPTION

LIMITS ON DIMENSIONS
 UNLESS OTHERWISE SPECIFIED
 2-PL DECIMAL ± .01
 3-PL DECIMAL ± .005
 FRACTIONAL ± 1/64
 ANGULAR ± 1/2°

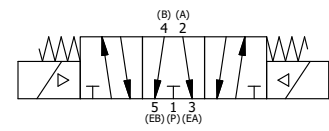
AAA PRODUCTS INTERNATIONAL
 7114 Harry Hines Blvd
 Dallas, TX 75235

DRAWN: RMckenna DATE: 3/5/2016 CHECKED: KWaite DATE: 3/5/2016
 SCALE: 1:1 SHEET: 1 OF 1 RELEASED: HWomack DATE: 3/5/2016

OPERATOR VOLTAGES	
PART NO	REPLACE OPERATOR
SY6GEDOP 240/60	AY-38ED-17
SY6GEDOP 24VDC	AY-38ED-8
SY6GEDOP 12VDC	AY-38ED-5

TITLE:
**3/4" SIDE PORT, DBL SOL, 3 POS,
 SPR CTR, SOL SHFT, FLOAT CTR SPL,
 ISO 4400 DIN, 120/60, PUSH OVRD**

PART NO.: **SY6GEDOP** REV.:



THE INFORMATION CONTAINED WITHIN THIS DOCUMENT IS PROPRIETARY TO AAA PRODUCTS AND MAY NOT BE DISCLOSED WITHOUT PRIOR WRITTEN CONSENT