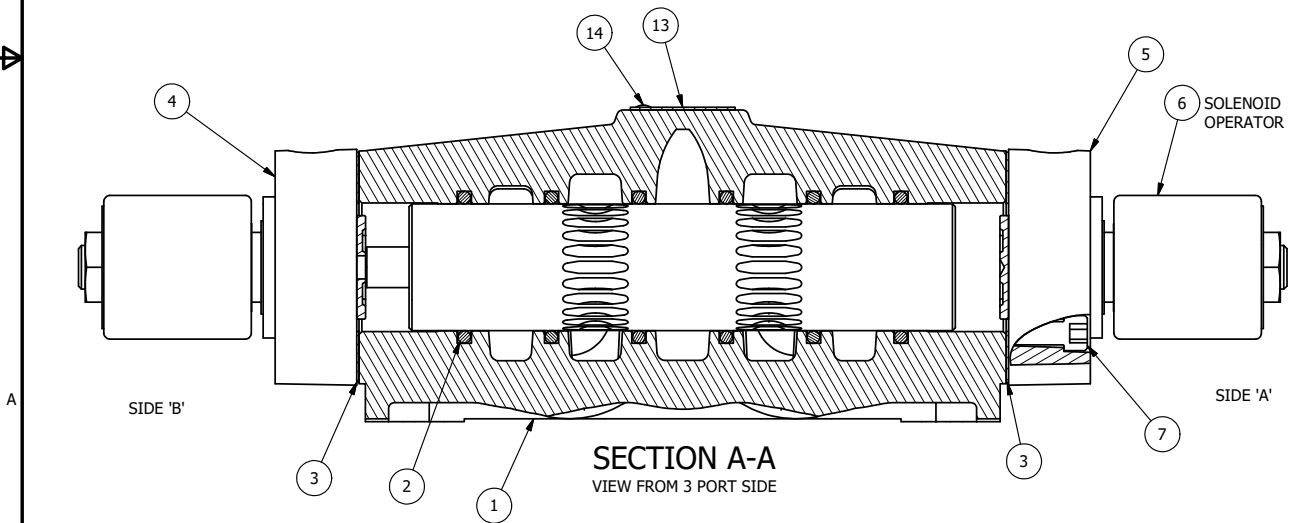


ALIGN PILOT AND HOLE IN GASKET, BOTH SIDES.
 FOR EXTERNAL PILOT OPERATION - ROTATE THE
 ROUND ALUMINUM ADAPTOR 90 OR 180 DEGREES.
 REMOVE 1/8" NPTF PLUG AND SUPPLY 50-160 PSI TO
 1/8" NPTF PILOT PORT IN ADAPTOR.

NOTES:
 1) ALWAYS GIVE VALVE MODEL AND PART NUMBER WHEN ORDERING PARTS.
 2) FOR DIFFERENT VOLTAGES OTHER THAN 120/60, REPLACE SOLENOID
 OPERATOR WITH OPERATOR LISTED IN TABLE BELOW. REFERENCE AY-38EDT
 DRAWING FOR REPLACEMENT COILS.

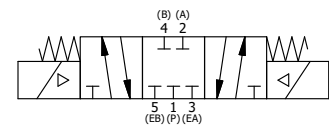


SECTION A-A
 VIEW FROM 3 PORT SIDE

| | | | |
|-----|-----|--------------|--|
| 14 | 2 | V-212 | SCREW, #2 X 3/16 DRIVE, TYPE U, OVAL HEAD, STAINLESS STEEL |
| 13 | 1 | AN-114 | NAMEPLATE, BLANK, FOR VALVES WITH SPRINGS OR DETENTS |
| 12 | 2 | V-81 | SCREW, 8-32 X 5/16, SOCKET SET, FULL DOG POINT |
| 11 | 4 | V-85 | O-RING, BUNA-N, 70 DURO, AS-010, (REF 1/4 X 3/8 X 1/16), CLASSIC OVRD |
| 10 | 2 | OS3W | SPRING - OVERRIDE RETURN, "CLASSIC" SOLENOID |
| 9 | 2 | OP4-W | OVERRIDE PIN, SPRING RETURN, 1/2", 3/4" & 1" VALVE |
| 8 | 2 | V-19 | PLUG, SOCKET PIPE 1/8" NPT (#601-3 PITTSBURG PLUG PART #.) |
| 7 | 8 | V-47 | SCREW, 1/4-20 X 1, SOCKET HEAD CAP |
| 6 | 2 | AY-38EDT-11 | CLASSIC SOLENOID - ISO 4400 DIN, 1/8" NPTF SOL EXHST, 120/60 |
| 5 | 1 | SSA48-OW | ADAPTOR, 'A' SIDE, CLASSIC SOL., NON-LOCKING OVERRIDE, 1/2", 3/4" & 1" VALVE |
| 4 | 1 | AY-SY8ON-LSO | SPRING CENTER SPOOL ASSY, OVERRIDE SPR. RET., LESS OPR., 3/4 & 1 VALVE |
| 3 | 2 | ECG48 | GASKET - END CAP, 1/2", 3/4" & 1" VALVE |
| 2 | 6 | V-30 | O-RING, BUNA-N, 70 DURO, AS-220, (REF 1-3/8 X 1-5/8 X 1/8), 3/4" & 1" VALVES |
| 1 | 1 | B6-1 | BODY, 3/4" SIDE PORT, UPPER PILOTS, ANODIZED |
| FLG | QTY | PART NO | DESCRIPTION |

| | | | |
|---|-----------------|--|--|
| LIMITS ON DIMENSIONS UNLESS OTHERWISE SPECIFIED | | 2-PL DECIMAL ± .01 3-PL DECIMAL ± .005 FRACTIONAL ± 1/64 ANGULAR ± 1/2° | AAA PRODUCTS INTERNATIONAL 7114 Harry Hines Blvd Dallas, TX 75235 |
| DRAWN: RMckenna | DATE: 4/27/2020 | CHECKED: KWaite | |
| SCALE: 1:1 | SHEET: 1 OF 1 | RELEASED: HWormack | DATE: 4/27/2020 |
| TITLE: 3/4" SIDE PORT, DBL SOL, 3 POS, CLSD SPR CTR, ISO 4400 DIN, 120/60, NON-LCKNG OVRD, TPD VENT | | PART NO.: | REV.: |
| | | SY6EDONT | |

| OPERATOR VOLTAGES | |
|-------------------|------------------|
| PART NO | REPLACE OPERATOR |
| SY6EDONT 12VDC | AY-38EDT-5 |
| SY6EDONT 24VDC | AY-38EDT-8 |
| SY6EDONT 240/60 | AY-38EDT-17 |



THE INFORMATION CONTAINED WITHIN THIS DOCUMENT IS PROPRIETARY TO AAA PRODUCTS AND MAY NOT BE DISCLOSED WITHOUT PRIOR WRITTEN CONSENT