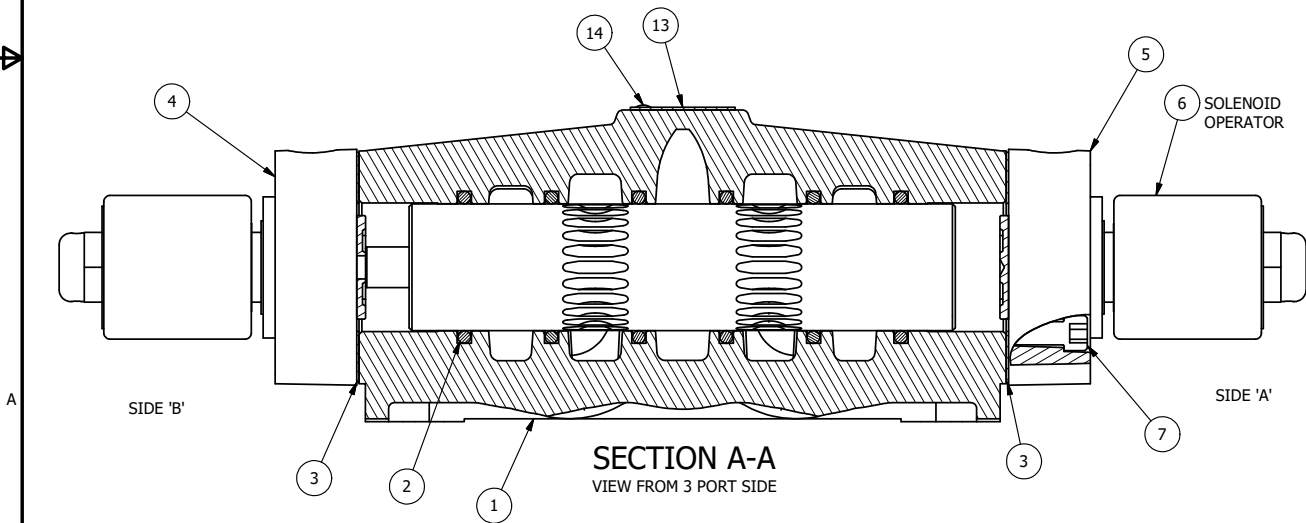


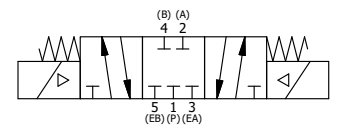
ALIGN PILOT AND HOLE IN GASKET, BOTH SIDES.  
FOR EXTERNAL PILOT OPERATION - ROTATE THE  
ROUND ALUMINUM ADAPTOR 90 OR 180 DEGREES.  
REMOVE 1/8" NPTF PLUG AND SUPPLY 50-160 PSI TO  
1/8" NPTF PILOT PORT IN ADAPTOR.

NOTES:  
1) ALWAYS GIVE VALVE MODEL AND PART NUMBER WHEN ORDERING PARTS.  
2) FOR DIFFERENT VOLTAGES OTHER THAN 120/60, REPLACE SOLENOID  
OPERATOR WITH OPERATOR LISTED IN TABLE BELOW. REFERENCE AY-38EDL  
DRAWING FOR REPLACEMENT COILS.



14	2	V-212	SCREW, #2 X 3/16 DRIVE, TYPE U, OVAL HEAD, STAINLESS STEEL
13	1	AN-114	NAMEPLATE, BLANK, FOR VALVES WITH SPRINGS OR DETENTS
12	2	V-81	SCREW, 8-32 X 5/16, SOCKET SET, FULL DOG POINT
11	4	V-85	O-RING, BUNA-N, 70 DURO, AS-010, (REF 1/4 X 3/8 X 1/16), CLASSIC OVRD
10	2	OS3W	SPRING - OVERRIDE RETURN, "CLASSIC" SOLENOID
9	2	OP4-W	OVERRIDE PIN, SPRING RETURN, 1/2", 3/4" & 1" VALVE
8	2	V-19	PLUG, SOCKET PIPE 1/8" NPT (#601-3 PITTSBURG PLUG PART #.)
7	8	V-47	SCREW, 1/4-20 X 1, SOCKET HEAD CAP
6	2	AY-38EDL-11	CLASSIC SOLENOID - ISO 4400 DIN, DUST EXCLUDER NUT, 120/60
5	1	SSA48-OW	ADAPTOR, 'A' SIDE, CLASSIC SOL., NON-LOCKING OVERRIDE, 1/2", 3/4" & 1" VALVE
4	1	AY-SY8ON-LSO	SPRING CENTER SPOOL ASSY, OVERRIDE SPR. RET., LESS OPR., 3/4 & 1 VALVE
3	2	ECG48	GASKET - END CAP, 1/2", 3/4" & 1" VALVE
2	6	V-30	O-RING, BUNA-N, 70 DURO, AS-220, (REF 1-3/8 X 1-5/8 X 1/8), 3/4" & 1" VALVES
1	1	B6-1	BODY, 3/4" SIDE PORT, UPPER PILOTS, ANODIZED
FLG	QTY	PART NO	DESCRIPTION

LIMITS ON DIMENSIONS UNLESS OTHERWISE SPECIFIED		2-PL DECIMAL ± .01 3-PL DECIMAL ± .005 FRACTIONAL ± 1/64 ANGULAR ± 1/2°	<b>AAA PRODUCTS INTERNATIONAL</b> 7114 Harry Hines Blvd Dallas, TX 75235								
DRAWN: RMckenna	DATE: 5/3/2020	CHECKED: KWaite		DATE: 5/3/2020							
SCALE: 1 : 1	SHEET: 1 OF 1	RELEASED: HWormack	DATE: 5/3/2020								
TITLE: <b>3/4" SIDE PORT, DBL SOL, 3 POS,          CLSD SPR CTR, ISO 4400 DIN, 120/60,          NON-LCKNG OVRD, EXCLDR</b>		PART NO.:	REV.:								
OPERATOR VOLTAGES <table border="1"> <tr> <th>PART NO</th> <th>REPLACE OPERATOR</th> </tr> <tr> <td>SYGEDONL 12VDC</td> <td>AY-38EDL-5</td> </tr> <tr> <td>SYGEDONL 24VDC</td> <td>AY-38EDL-8</td> </tr> <tr> <td>SYGEDONL 240/60</td> <td>AY-38EDL-17</td> </tr> </table>		PART NO	REPLACE OPERATOR	SYGEDONL 12VDC	AY-38EDL-5	SYGEDONL 24VDC	AY-38EDL-8	SYGEDONL 240/60	AY-38EDL-17	SY6EDONL	
PART NO	REPLACE OPERATOR										
SYGEDONL 12VDC	AY-38EDL-5										
SYGEDONL 24VDC	AY-38EDL-8										
SYGEDONL 240/60	AY-38EDL-17										



THE INFORMATION CONTAINED WITHIN THIS DOCUMENT IS PROPRIETARY TO AAA PRODUCTS AND MAY NOT BE DISCLOSED WITHOUT PRIOR WRITTEN CONSENT

P:\Engineering\product\Valve Assembly\Classic\Sy6\SY6EDONL.dwg