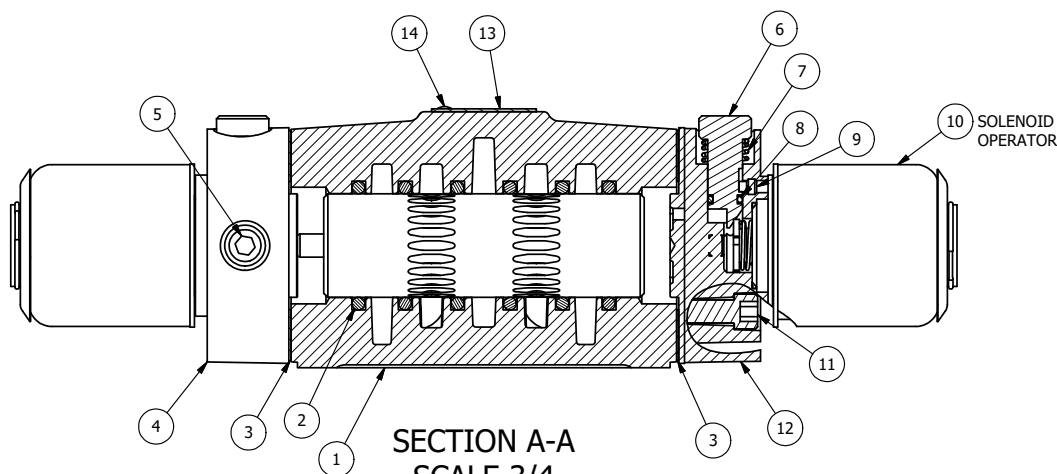


ALIGN PILOT AND HOLE IN GASKET, BOTH SIDES.
 FOR EXTERNAL PILOT OPERATION - ROTATE THE
 ROUND ALUMINUM ADAPTOR 90 OR 180 DEGREES.
 REMOVE 1/8" NPTF PLUG AND SUPPLY 50-160 PSI TO
 1/8" NPTF PILOT PORT IN ADAPTOR.

NOTES:
 1) ALWAYS GIVE VALVE MODEL AND PART NUMBER WHEN ORDERING PARTS.
 2) FOR DIFFERENT VOLTAGES OTHER THAN 120/60, REPLACE SOLENOID
 OPERATOR WITH OPERATOR LISTED IN TABLE BELOW.



SECTION A-A
 SCALE 3/4
 VIEW FROM 3 PORT SIDE

FLG	QTY	PART NO	DESCRIPTION
14	2	V-212	SCREW, #2 X 3/16 DRIVE, TYPE U, OVAL HEAD, STAINLESS STEEL
13	1	AN-114	NAMEPLATE, BLANK, FOR VALVES WITH SPRINGS OR DETENTS
12	1	SSA48-OP	ADAPTOR, 'A' SIDE, CLASSIC SOL., POP PIN OVERRIDE, 1/2", 3/4" & 1" VALVE
11	8	V-47	SCREW, 1/4-20 X 1, SOCKET HEAD CAP
10	2	AY-38X-11	CLASSIC SOLENOID - EXPLOSION PROOF, 120/60VAC, 38.5VDC, 110/50VAC
9	2	V-81	SCREW, 8-32 X 5/16, SOCKET SET, FULL DOG POINT
8	2	V-85	O-RING, BUNA-N, 70 DURO, AS-010, (REF 1/4 X 3/8 X 1/16), CLASSIC OVRD
7	2	OS3	SPRING - MANUAL OVERRIDE, "CLASSIC" SOLENOID
6	2	POP-3	OVERRIDE, PUSH PIN, 303 STAINLESS, 1/4" & 3/8" VALVE
5	2	V-19	PLUG, SOCKET PIPE 1/8" NPT, 7/8 TAPER, FLUSH SEAL
4	1	AY-SY4OP-LSO	ASSY - SPR CTR, CSLD CTR SPL, PUSH OVERRIDE, LESS OPER, 1/2" VALVES
3	2	ECG48	GASKET - END CAP, 1/2", 3/4" & 1" VALVE
2	6	V-6	O-RING, BUNA-N, 70 DURO, AS-216, (REF 1-1/8 X 1-3/8 X 1/8), 1/2" VALVES, 1" SUBPLATE
1	1	B4-1	BODY, 1/2" SIDE PORT, UPPER PILOTS, ANODIZED
10			SOLENOID OPERATOR

LIMITS ON DIMENSIONS
 UNLESS OTHERWISE SPECIFIED
 2-PL DECIMAL ± .01
 3-PL DECIMAL ± .005
 FRACTIONAL ± 1/64
 ANGULAR ± 1/2°



DRAWN: RMckenna DATE: 3/17/2016 CHECKED: KWaite DATE: 3/17/2016
 SCALE: 3/4 SHEET: 1 OF 1 RELEASED: HWomack DATE: 3/17/2016

OPERATOR VOLTAGES	
PART NO	REPLACE OPERATOR
SY4XOP 240/60	AY-38X-17
SY4XOP 24VDC	AY-38X-8
SY4XOP 12VDC	AY-38X-5

TITLE:
 1/2" SIDE PORT, DBL SOL, 3 POS,
 SPR CTR, SOL SHFT, CSLD CTR SPL,
 EXPL PROOF, 120/60, PUSH OVRD

PART NO.:
 SY4XOP

