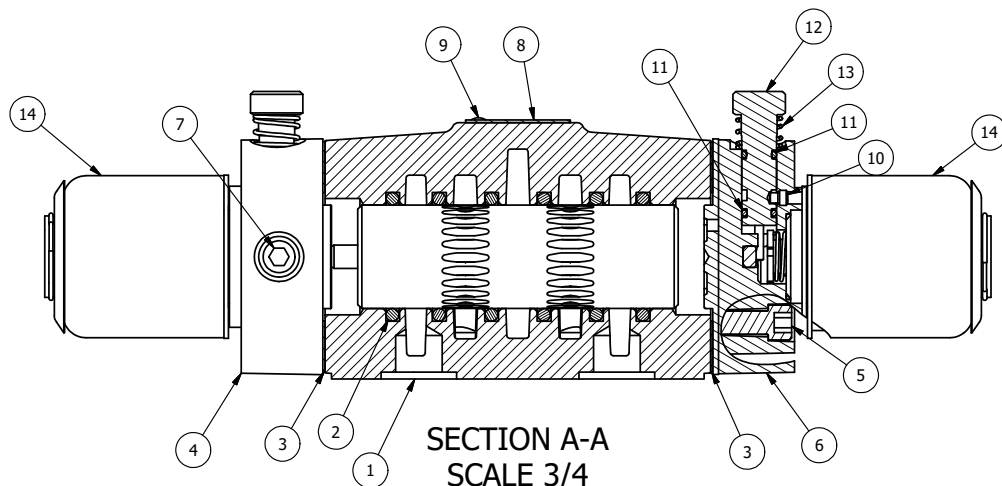


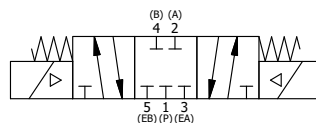
ALIGN PILOT AND HOLE IN GASKET, BOTH SIDES.  
FOR EXTERNAL PILOT OPERATION - ROTATE THE ROUND ALUMINUM ADAPTOR 90 OR 180 DEGREES.  
REMOVE 1/8" NPTF PLUG AND SUPPLY 50-160 PSI TO 1/8" NPTF PILOT PORT IN ADAPTOR.

NOTES:

- 1) ALWAYS GIVE VALVE MODEL AND PART NUMBER WHEN ORDERING PARTS.
- 2) FOR DIFFERENT VOLTAGES OTHER THAN 120/60, REPLACE SOLENOID OPERATOR WITH OPERATOR LISTED IN TABLE BELOW.



SECTION A-A  
SCALE 3/4  
VIEW FROM 3 PORT SIDE



FLG	QTY	PART NO	DESCRIPTION
15	1	SPK-4	KIT - SUBPLATE MOUNT, 1/2" SUBPLATE VALVES
14	2	AY-38X-11	CLASSIC SOLENOID - EXPLOSION PROOF, 120/60VAC, 38.5VDC, 110/50VAC
13	2	OS3	SPRING - MANUAL OVERRIDE, "CLASSIC" SOLENOID
12	2	OP4	PIN , MANUAL OVERRIDE, 1/2", 3/4" & 1" VALVES
11	4	V-85	O-RING, BUNA-N, 70 DURO, AS-010, (REF 1/4 X 3/8 X 1/16), CLASSIC OVRD
10	2	V-81	SCREW, 8-32 X 5/16, SOCKET SET, FULL DOG POINT
9	2	V-212	SCREW, #2 X 3/16 DRIVE, TYPE U, OVAL HEAD, STAINLESS STEEL
8	1	AN-114	NAMEPLATE, BLANK, FOR VALVES WITH SPRINGS OR DETENTS
7	2	V-19	PLUG, SOCKET PIPE 1/8" NPT, 7/8 TAPER, FLUSH SEAL
6	1	SSA48-0	ADAPTOR, 'A' SIDE, CLASSIC SOL., OVERRIDE, 1/2", 3/4" & 1" VALVE
5	8	V-47	SCREW, 1/4-20 X 1, SOCKET HEAD CAP
4	1	AY-SY40-LSO	SPRING CENTER SPOOL ASSY, MAN. OVERRIDE, LESS SOL. OPER., 1/2" VALVES
3	2	ECG48	GASKET - END CAP, 1/2", 3/4" & 1" VALVE
2	6	V-6	O-RING, BUNA-N, 70 DURO, AS-216, (REF 1-1/8 X 1-3/8 X 1/8), 1/2" VALVES, 1" SUBPLATE
1	1	BP4-1	BODY, 1/2" SUBPLATE, UPPER PILOTS, ANODIZED

LIMITS ON DIMENSIONS  
UNLESS  
OTHERWISE SPECIFIED

2-PL DECIMAL ± .01  
3-PL DECIMAL ± .005  
FRACTIONAL ± 1/64  
ANGULAR ± 1/2°



DRAWN: RMckenna DATE: 2/9/2016  
SCALE: 3/4 SHEET: 1 OF 1

CHECKED: KWaite DATE: 2/9/2016  
RELEASED: HWormack DATE: 2/9/2016

OPERATOR VOLTAGES	
PART NO	REPLACE OPERATOR
SY4PXO 240/60	AY-38X-17
SY4PXO 24VDC	AY-38X-8
SY4PXO 12VDC	AY-38X-5

TITLE:  
1/2" SUBPLATE, DBL SOL, 3 POS,  
SPR CTR, SOL SHFT, CLSD CTR SPL,  
EXPL PROOF, 120/60, LCKNG OVRD

PART NO.:  
SY4PXO  
REV.:

THE INFORMATION CONTAINED WITHIN THIS DOCUMENT IS PROPRIETARY TO AAA PRODUCTS AND MAY NOT BE DISCLOSED WITHOUT PRIOR WRITTEN CONSENT

P:\Engineering\Products\Valves\Assembly\classics\SY4PXO.dwg