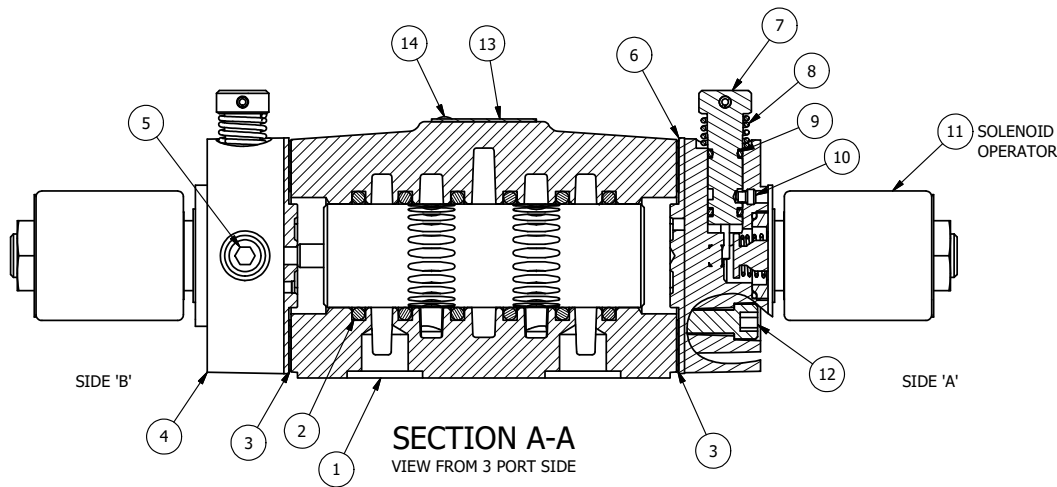


ALIGN PILOT AND HOLE IN GASKET, BOTH SIDES.
FOR EXTERNAL PILOT OPERATION - ROTATE THE ROUND ALUMINUM ADAPTOR 90 OR 180 DEGREES.
REMOVE 1/8" NPTF PLUG AND SUPPLY 50-160 PSI TO 1/8" NPTF PILOT PORT IN ADAPTOR.

NOTES:

- 1) ALWAYS GIVE VALVE MODEL AND PART NUMBER WHEN ORDERING PARTS.
- 2) FOR DIFFERENT VOLTAGES OTHER THAN 120/60, REPLACE SOLENOID OPERATOR WITH OPERATOR LISTED IN TABLE BELOW. REFERENCE AY-38MT DRAWING FOR REPLACEMENT COILS.



SECTION A-A
VIEW FROM 3 PORT SIDE

15	1	SPK-4	KIT - SUBPLATE MOUNT, 1/2" SUBPLATE VALVES
14	2	V-212	SCREW, #2 X 3/16 DRIVE, TYPE U, OVAL HEAD, STAINLESS STEEL
13	1	AN-114	NAMEPLATE, BLANK, FOR VALVES WITH SPRINGS OR DETENTS
12	8	V-47	SCREW, 1/4-20 X 1, SOCKET HEAD CAP
11	2	AY-38MT-11	CLASSIC SOLENOID - 1/2" NPT CONDUIT, 120/60, TAPPED EXH
10	2	V-81	SCREW, 8-32 X 5/16, SOCKET SET, FULL DOG POINT
9	4	V-85	O-RING, BUNA-N, 70 DURO, AS-010, (REF 1/4 X 3/8 X 1/16), CLASSIC OVRD
8	2	OS3W	SPRING - OVERRIDE RETURN, "CLASSIC" SOLENOID
7	2	OP4-W	OVERRIDE PIN, SPRING RETURN, 1/2", 3/4" & 1" VALVE
6	1	SSA48-OW	ADAPTOR, 'A' SIDE, CLASSIC SOL., NON-LOCKING OVERRIDE, 1/2", 3/4" & 1" VALVE
5	2	V-19	PLUG, SOCKET PIPE 1/8" NPT (#601-3 PITTSBURG PLUG PART #.)
4	1	AY-SY40N-LSO	SPRING CENTER SPOOL ASSY, NON-LCKNG OVRD, LESS SOL OPER, 1/2" VALVES
3	2	ECG48	GASKET - END CAP, 1/2", 3/4" & 1" VALVE
2	6	V-6	O-RING, BUNA-N, 70 DURO, AS-216, (REF 1-1/8 X 1-3/8 X 1/8), 1/2" VALVES, 1" SUBPLATE
1	1	BP4-1	BODY, 1/2" SUBPLATE, UPPER PILOTS, ANODIZED
FLG	QTY	PART NO	DESCRIPTION

LIMITS ON DIMENSIONS
UNLESS OTHERWISE SPECIFIED
2-PL DECIMAL ± .01
3-PL DECIMAL ± .005
FRACTIONAL ± 1/64
ANGULAR ± 1/2°



DRAWN: RMckenna DATE: 4/27/2020 CHECKED: KWaite DATE: 4/27/2020
SCALE: 3/4 SHEET: 1 OF 1 RELEASED: HWormack DATE: 4/27/2020

OPERATOR VOLTAGES	
PART NO	REPLACE OPERATOR
SY4PMONT 12VDC	AY-38MT-5
SY4PMONT 24VDC	AY-38MT-8
SY4PMONT 240/60	AY-38MT-17

TITLE:
**1/2" SUBPLATE, DBL SOL, 3 POS,
CLSD SPR CTR, MOLD-OVER, 120/60,
NON-LCKNG OVRD, TPD VENT**

PART NO.:
SY4PMONT

THE INFORMATION CONTAINED WITHIN THIS DOCUMENT IS PROPRIETARY TO AAA PRODUCTS AND MAY NOT BE DISCLOSED WITHOUT PRIOR WRITTEN CONSENT