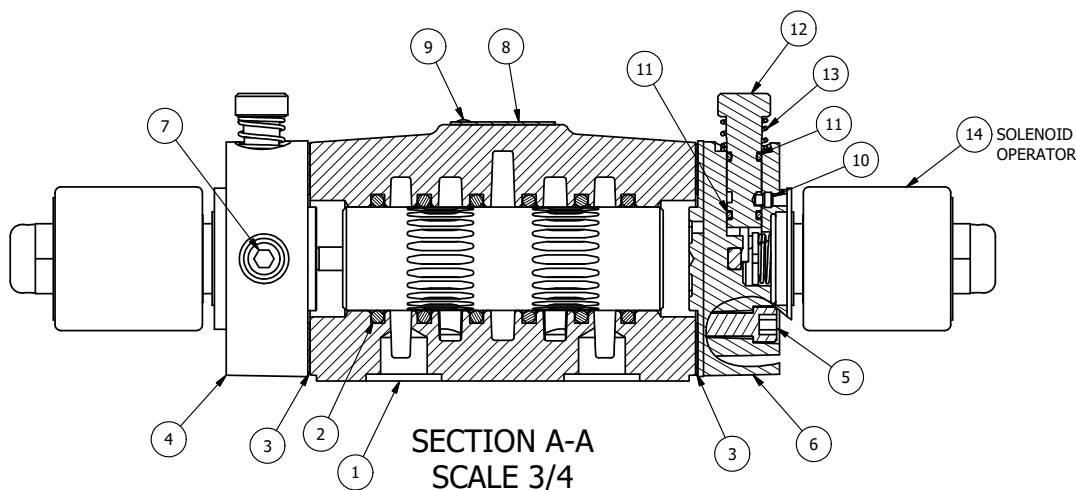


ALIGN PILOT AND HOLE IN GASKET, BOTH SIDES.
FOR EXTERNAL PILOT OPERATION - ROTATE THE
ROUND ALUMINUM ADAPTOR 90 OR 180 DEGREES.
REMOVE 1/8" NPTF PLUG AND SUPPLY 50-160 PSI TO
1/8" NPTF PILOT PORT IN ADAPTOR.

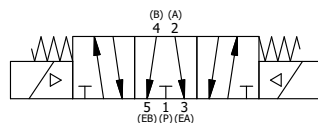
NOTES:

- 1) ALWAYS GIVE VALVE MODEL AND PART NUMBER WHEN ORDERING PARTS.
- 2) FOR DIFFERENT VOLTAGES OTHER THAN 120/60, REPLACE SOLENOID OPERATOR WITH OPERATOR LISTED IN TABLE BELOW. REFERENCE AY-38EDL DRAWING FOR REPLACEMENT COILS.



15	1	SPK-4	KIT - SUBPLATE MOUNT, 1/2" SUBPLATE VALVES
14	2	AY-38EDL-11	CLASSIC SOLENOID - ISO 4400 DIN, DUST EXCLUDER NUT, 120/60
13	2	OS3	SPRING - MANUAL OVERRIDE, "CLASSIC" SOLENOID
12	2	OP4	PIN , MANUAL OVERRIDE, 1/2", 3/4" & 1" VALVES
11	4	V-85	O-RING, BUNA-N, 70 DURO, AS-010, (REF 1/4 X 3/8 X 1/16), CLASSIC OVRD
10	2	V-81	SCREW, 8-32 X 5/16, SOCKET SET, FULL DOG POINT
9	2	V-212	SCREW, #2 X 3/16 DRIVE, TYPE U, OVAL HEAD, STAINLESS STEEL
8	1	AN-114	NAMEPLATE, BLANK, FOR VALVES WITH SPRINGS OR DETENTS
7	2	V-19	PLUG, SOCKET PIPE 1/8" NPT (#601-3 PITTSBURG PLUG PART #.)
6	1	SSA48-0	ADAPTOR, 'A' SIDE, CLASSIC SOL., OVERRIDE, 1/2", 3/4" & 1" VALVE
5	8	V-47	SCREW, 1/4-20 X 1, SOCKET HEAD CAP
4	1	AY-SY4GO-LSO	ASSY - SPR CTR, FLOAT CTR SPL, CLASSIC SOL, LESS OPER, LCKNG OVRD, 1/2" VALVES
3	2	ECG48	GASKET - END CAP, 1/2", 3/4" & 1" VALVE
2	6	V-6	O-RING, BUNA-N, 70 DURO, AS-216, (REF 1-1/8 X 1-3/8 X 1/8), 1/2" VALVES, 1" SUBPLATE
1	1	BP4-1	BODY, 1/2" SUBPLATE, UPPER PILOTS, ANODIZED
FLG	QTY	PART NO	DESCRIPTION

LIMITS ON DIMENSIONS UNLESS OTHERWISE SPECIFIED		2-PL DECIMAL ± .01 3-PL DECIMAL ± .005 FRACTIONAL ± 1/64 ANGULAR ± 1/2°	AAA PRODUCTS INTERNATIONAL 7114 Harry Hines Blvd Dallas, TX 75235								
DRAWN: RMckenna	DATE: 4/5/2016	CHECKED: KWaite		DATE: 4/5/2016							
SCALE: 3/4	SHEET: 1 OF 1	RELEASED: HWomack	DATE: 4/5/2016								
TITLE: 1/2" SUBPLATE, DBL SOL, 3 POS, SPR CTR, FLOAT CTR SPL, ISO 4400, 120/60, LCKNG OVRD, DUST EXCLDR			PART NO.: SY4PGEDOL								
OPERATOR VOLTAGES <table border="1"> <thead> <tr> <th>PART NO</th> <th>REPLACE OPERATOR</th> </tr> </thead> <tbody> <tr> <td>SY4PGEDOL 240/60</td> <td>AY-38EDL-17</td> </tr> <tr> <td>SY4PGEDOL 24VDC</td> <td>AY-38EDL-8</td> </tr> <tr> <td>SY4PGEDOL 12VDC</td> <td>AY-38EDL-5</td> </tr> </tbody> </table>			PART NO	REPLACE OPERATOR	SY4PGEDOL 240/60	AY-38EDL-17	SY4PGEDOL 24VDC	AY-38EDL-8	SY4PGEDOL 12VDC	AY-38EDL-5	REV.:
PART NO	REPLACE OPERATOR										
SY4PGEDOL 240/60	AY-38EDL-17										
SY4PGEDOL 24VDC	AY-38EDL-8										
SY4PGEDOL 12VDC	AY-38EDL-5										



THE INFORMATION CONTAINED WITHIN THIS DOCUMENT IS PROPRIETARY TO AAA PRODUCTS AND MAY NOT BE DISCLOSED WITHOUT PRIOR WRITTEN CONSENT