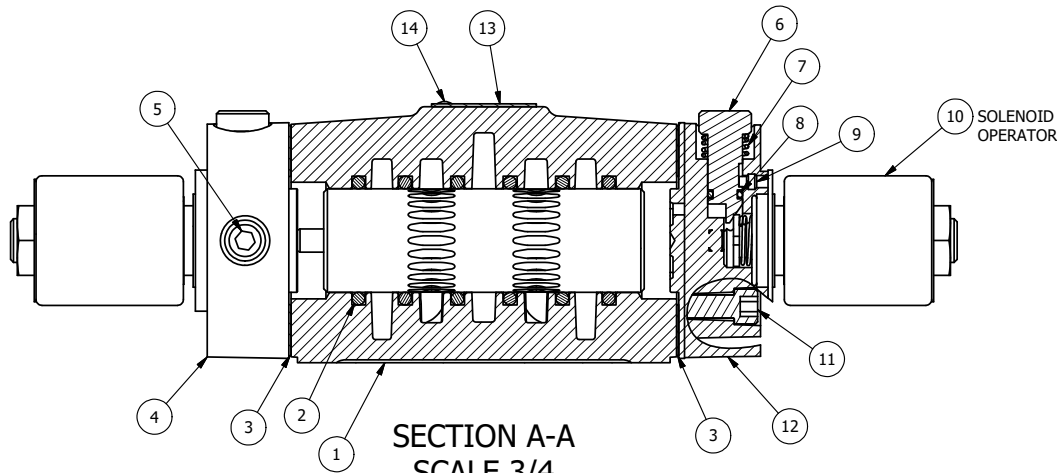


ALIGN PILOT AND HOLE IN GASKET, BOTH SIDES.  
FOR EXTERNAL PILOT OPERATION - ROTATE THE  
ROUND ALUMINUM ADAPTOR 90 OR 180 DEGREES.  
REMOVE 1/8" NPTF PLUG AND SUPPLY 50-160 PSI TO  
1/8" NPTF PILOT PORT IN ADAPTOR.

NOTES:

- 1) ALWAYS GIVE VALVE MODEL AND PART NUMBER WHEN ORDERING PARTS.
- 2) FOR DIFFERENT VOLTAGES OTHER THAN 120/60, REPLACE SOLENOID OPERATOR WITH OPERATOR LISTED IN TABLE BELOW. REFERENCE AY-38M DRAWING FOR REPLACEMENT COILS.

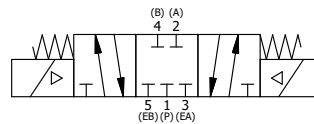


SECTION A-A  
SCALE 3/4  
VIEW FROM 3 PORT SIDE

| FLG | QTY | PART NO      | DESCRIPTION  |
|-----|-----|--------------|--|
| 14  | 2   | V-212        | SCREW, #2 X 3/16 DRIVE, TYPE U, OVAL HEAD, STAINLESS STEEL                           |
| 13  | 1   | AN-114       | NAMEPLATE, BLANK, FOR VALVES WITH SPRINGS OR DETENTS                                 |
| 12  | 1   | SSA48-OP     | ADAPTOR, 'A' SIDE, CLASSIC SOL., POP PIN OVERRIDE, 1/2", 3/4" & 1" VALVE             |
| 11  | 8   | V-47         | SCREW, 1/4-20 X 1, SOCKET HEAD CAP   |
| 10  | 2   | AY-38M-11    | CLASSIC SOLENOID - 1/2" NPT CONDUIT, 120/60  |
| 9   | 2   | V-81         | SCREW, 8-32 X 5/16, SOCKET SET, FULL DOG POINT                                       |
| 8   | 2   | V-85         | O-RING, BUNA-N, 70 DURO, AS-010, (REF 1/4 X 3/8 X 1/16), CLASSIC OVRD                |
| 7   | 2   | OS3          | SPRING - MANUAL OVERRIDE, "CLASSIC" SOLENOID   |
| 6   | 2   | POP-3        | OVERRIDE, PUSH PIN, 303 STAINLESS, 1/4" & 3/8" VALVE                                 |
| 5   | 2   | V-19         | PLUG, SOCKET PIPE 1/8" NPT (#601-3 PITTSBURG PLUG PART #.)                           |
| 4   | 1   | AY-SY4OP-LSO | ASSY - SPR CTR, CSLD CTR SPL, PUSH OVERRIDE, LESS OPER, 1/2" VALVES                  |
| 3   | 2   | ECG48        | GASKET - END CAP, 1/2", 3/4" & 1" VALVE  |
| 2   | 6   | V-6          | O-RING, BUNA-N, 70 DURO, AS-216, (REF 1-1/8 X 1-3/8 X 1/8), 1/2" VALVES, 1" SUBPLATE |
| 1   | 1   | B4-1         | BODY, 1/2" SIDE PORT, UPPER PILOTS, ANODIZED   |

|  |  |  |  |  |       |
|--|--|--|--|--|-------|
| LIMITS ON DIMENSIONS<br>UNLESS OTHERWISE SPECIFIED   |  | 2-PL DECIMAL ± .01<br>3-PL DECIMAL ± .005<br>FRACTIONAL ± 1/64<br>ANGULAR ± 1/2° |  | <b>AAA PRODUCTS INTERNATIONAL</b><br>7114 Harry Hines Blvd<br>Dallas, TX 75235 |       |
| DRAWN: RMckenna  |  | DATE: 9/21/2015  |  |  |       |
| SCALE: 3/4   |  | SHEET: 1 OF 1  |  | CHECKED: KWaite    DATE: 9/21/2015<br>RELEASED: HWomack    DATE: 9/21/2015     |       |
| TITLE:<br><b>1/2" SIDE PORT, DBL SOL, 3 POS,<br/>         SPR CTR, SOL SHFT, CSLD CTR SPL,<br/>         MOLD-OVER, 120/60, PUSH OVRD</b> |  |  |  | PART NO.:<br><b>SY4MOP</b>   | REV.: |

| OPERATOR VOLTAGES |                  |
|-------------------|------------------|
| PART NO           | REPLACE OPERATOR |
| SY4MOP 240/60     | AY-38M-17        |
| SY4MOP 24VDC      | AY-38M-8         |
| SY4MOP 12VDC      | AY-38M-5         |



THE INFORMATION CONTAINED WITHIN THIS DOCUMENT IS PROPRIETARY TO AAA PRODUCTS AND MAY NOT BE DISCLOSED WITHOUT PRIOR WRITTEN CONSENT

D:\Engineering\product\Valve Assembly\Classic\SY4MOP.dwg