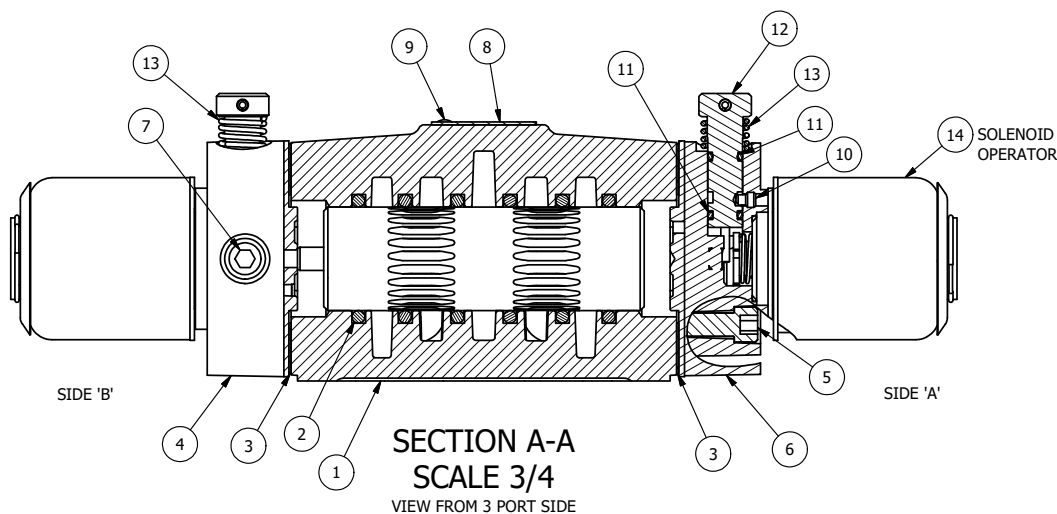


ALIGN PILOT AND HOLE IN GASKET, BOTH SIDES.  
FOR EXTERNAL PILOT OPERATION - ROTATE THE ROUND ALUMINUM ADAPTOR 90 OR 180 DEGREES.  
REMOVE 1/8" NPTF PLUG AND SUPPLY 50-160 PSI TO 1/8" NPTF PILOT PORT IN ADAPTOR.

NOTES:

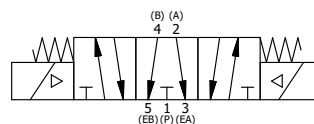
- 1) ALWAYS GIVE VALVE MODEL AND PART NUMBER WHEN ORDERING PARTS.
- 2) FOR DIFFERENT VOLTAGES OTHER THAN 120V/60, REPLACE SOLENOID OPERATOR WITH OPERATOR LISTED IN TABLE BELOW.



FLG	QTY	PART NO	DESCRIPTION
14	2	AY-38X-11	CLASSIC SOLENOID - EXPLOSION PROOF, 120/60VAC, 38.5VDC, 110/50VAC
13	2	OS3W	SPRING - OVERRIDE RETURN, "CLASSIC" SOLENOID
12	2	OP4-W	VERRIDE PIN, SPRING RETURN, 1/2", 3/4" & 1" VALVE
11	4	V-85	O-RING, BUNA-N, 70 DURO, AS-010, (REF 1/4 X 3/8 X 1/16), CLASSIC OVRD
10	2	V-81	SCREW, 8-32 X 5/16, SOCKET SET, FULL DOG POINT
9	2	V-212	SCREW, #2 X 3/16 DRIVE, TYPE U, OVAL HEAD, STAINLESS STEEL
8	1	AN-114	NAMEPLATE, BLANK, FOR VALVES WITH SPRINGS OR DETENTS
7	2	V-19	PLUG, SOCKET PIPE 1/8" NPT, 7/8 TAPER, FLUSH SEAL
6	1	SSA48-OW	ADAPTOR, 'A' SIDE, CLASSIC SOL., NON-LOCKING OVERRIDE, 1/2", 3/4" & 1" VALVE
5	8	V-47	SCREW, 1/4-20 X 1, SOCKET HEAD CAP
4	1	AY-SY4GON-LSO	ASSY - SPR CTR, FLOAT CTR SPL, CLASSIC SOL, LESS OPERATOR, NON-LCKNG OVRD, 1/2" VALVES
3	2	ECG48	GASKET - END CAP, 1/2", 3/4" & 1" VALVE
2	6	V-6	O-RING, BUNA-N, 70 DURO, AS-216, (REF 1-1/8 X 1-3/8 X 1/8), 1/2" VALVES, 1" SUBPLATE
1	1	B4-1	BODY, 1/2" SIDE PORT, UPPER PILOTS, ANODIZED

LIMITS ON DIMENSIONS UNLESS OTHERWISE SPECIFIED	2-PL DECIMAL ± .01	<b>AAA PRODUCTS INTERNATIONAL</b> 7114 Harry Hines Blvd Dallas, TX 75235	
	3-PL DECIMAL ± .005		
	FRACTIONAL ± 1/64		
	ANGULAR ± 1/2°		
DRAWN: RMckenna	DATE: 3/17/2016	CHECKED: KWaite	DATE: 3/17/2016
SCALE: 3/4	SHEET: 1 OF 1	RELEASED: HWomack	DATE: 3/17/2016
TITLE: <b>1/2" SIDE PORT, DBL SOL, 3 POS, SPR CTR, FLOAT CTR SPL, EXPL PROOF, 120/60, NON-LCKNG OVRD</b>		PART NO.: <b>SY4GXON</b>	REV.:

OPERATOR VOLTAGES	
PART NO	REPLACE OPERATOR
SY4GXON 240/60	AY-38X-17
SY4GXON 24VDC	AY-38X-8
SY4GXON 12VDC	AY-38X-5



THE INFORMATION CONTAINED WITHIN THIS DOCUMENT IS PROPRIETARY TO AAA PRODUCTS AND MAY NOT BE DISCLOSED WITHOUT PRIOR WRITTEN CONSENT