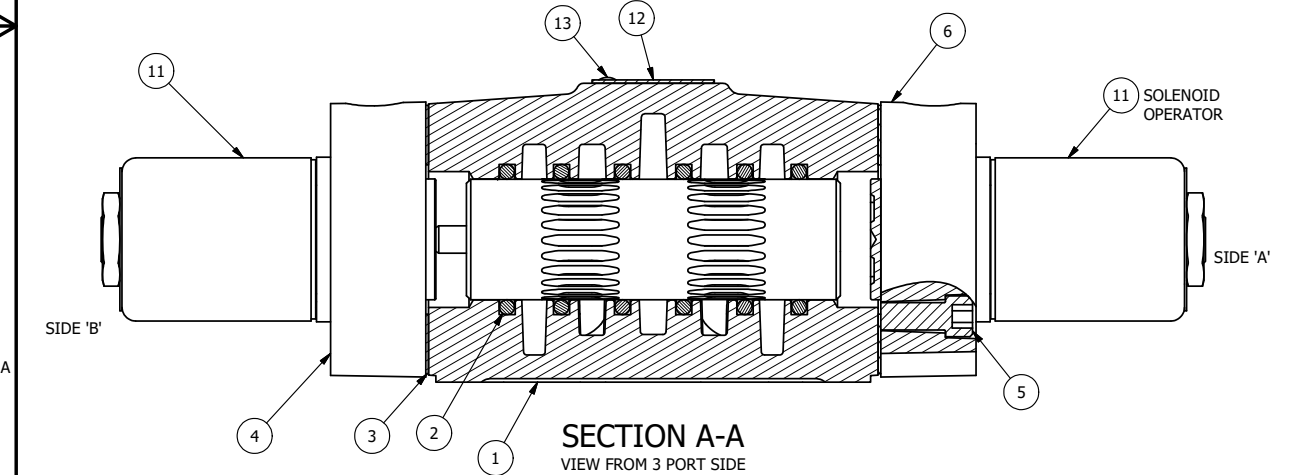


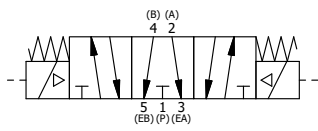
NOTES:  
1) ALWAYS GIVE VALVE MODEL AND PART NUMBER WHEN ORDERING PARTS.  
2) FOR DIFFERENT VOLTAGES OTHER THAN 120/60, REPLACE SOLENOID OPERATOR WITH OPERATOR LISTED IN TABLE BELOW. REFERENCE AY-38 DRAWING FOR REPLACEMENT COILS.



|     |     |              |  |
|-----|-----|--------------|--|
| 13  | 2   | V-212        | SCREW, #2 X 3/16 DRIVE, TYPE U, OVAL HEAD, STAINLESS STEEL                           |
| 12  | 1   | AN-114       | NAMEPLATE, BLANK, FOR VALVES WITH SPRINGS OR DETENTS                                 |
| 11  | 2   | AY-38-11     | CLASSIC SOLENOID - STANDARD, COMPLETE OPERATOR, 120/60                               |
| 10  | 2   | OS3          | SPRING - MANUAL OVERRIDE, "CLASSIC" SOLENOID   |
| 9   | 2   | OP4          | PIN , MANUAL OVERRIDE, 1/2", 3/4" & 1" VALVES  |
| 8   | 4   | V-85         | O-RING, BUNA-N, 70 DURO, AS-010, (REF 1/4 X 3/8 X 1/16), CLASSIC OVRD                |
| 7   | 2   | V-81         | SCREW, 8-32 X 5/16, SOCKET SET, FULL DOG POINT                                       |
| 6   | 1   | SSA48-0      | ADAPTOR, 'A' SIDE, CLASSIC SOL., OVERRIDE, 1/2", 3/4" & 1" VALVE                     |
| 5   | 8   | V-47         | SCREW, 1/4-20 X 1, SOCKET HEAD CAP   |
| 4   | 1   | AY-SY4GO-LSO | ASSY - SPR CTR, FLOAT CTR SPL, CLASSIC SOL, LESS OPER, LCKNG OVRD, 1/2" VALVES       |
| 3   | 2   | ECG48        | GASKET - END CAP, 1/2", 3/4" & 1" VALVE  |
| 2   | 6   | V-6          | O-RING, BUNA-N, 70 DURO, AS-216, (REF 1-1/8 X 1-3/8 X 1/8), 1/2" VALVES, 1" SUBPLATE |
| 1   | 1   | B4-1         | BODY, 1/2" SIDE PORT, UPPER PILOTS, ANODIZED   |
| FLG | QTY | PART NO      | DESCRIPTION  |

|   |  |  |  |  |                  |
|---|--|--|--|--|------------------|
| LIMITS ON DIMENSIONS<br>UNLESS OTHERWISE SPECIFIED  |  | 2-PL DECIMAL ± .01<br>3-PL DECIMAL ± .005<br>FRACTIONAL ± 1/64<br>ANGULAR ± 1/2° |  | <b>AAA PRODUCTS INTERNATIONAL</b><br>7114 Harry Hines Blvd<br>Dallas, TX 75235 |                  |
| DRAWN: RMckenna   |  | DATE: 10/27/2016   |  |  | CHECKED: KWaite  |
| SCALE: 1 : 1  |  | SHEET: 1 OF 1  |  | RELEASED: HWomack  | DATE: 10/27/2016 |
| TITLE:<br><b>1/2" SIDE PORT, DBL SOL, 3 POS,<br/>         SPR CTR, FLOAT CTR SPL, CLASSIC SOL,<br/>         120/60, LCKNG OVRD, EXT PILOT</b> |  |  |  | PART NO.:  | REV.:            |
|   |  |  |  | SY4GOZ   |                  |

| OPERATOR VOLTAGES |                  |
|-------------------|------------------|
| PART NO           | REPLACE OPERATOR |
| SY4GOZ 240/60     | AY-38-17         |
| SY4GOZ 24VDC      | AY-38-8          |
| SY4GOZ 12VDC      | AY-38-5          |



THE INFORMATION CONTAINED WITHIN THIS DOCUMENT IS PROPRIETARY TO AAA PRODUCTS AND MAY NOT BE DISCLOSED WITHOUT PRIOR WRITTEN CONSENT

P:\Engineering\product\Valve Assembly\Classic\S\SY4GOZ\S\SY4GOZ.dwg