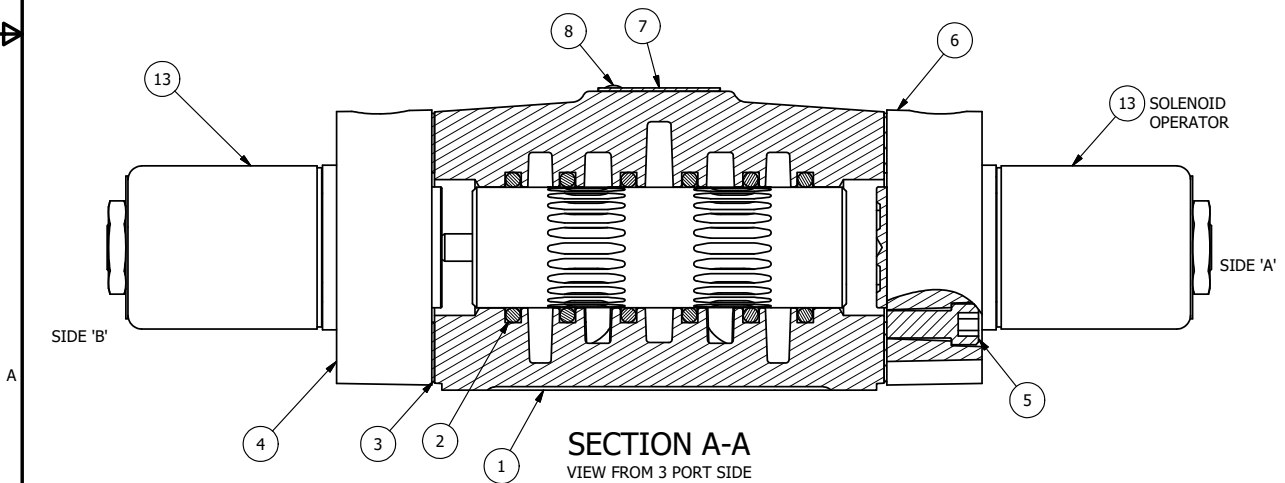


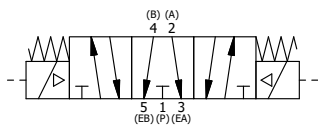
NOTES:  
 1) ALWAYS GIVE VALVE MODEL AND PART NUMBER WHEN ORDERING PARTS.  
 2) FOR DIFFERENT VOLTAGES OTHER THAN 120/60, REPLACE SOLENOID OPERATOR WITH OPERATOR LISTED IN TABLE BELOW. REFERENCE AY-38T DRAWING FOR REPLACEMENT COILS.



13	2	AY-38T-11	CLASSIC SOLENOID - STANDARD, COMPLETE OPER, TAPPED EXH., 120/60
12	2	OS3	SPRING - MANUAL OVERRIDE, "CLASSIC" SOLENOID
11	2	OP4	PIN , MANUAL OVERRIDE, 1/2", 3/4" & 1" VALVES
10	4	V-85	O-RING, BUNA-N, 70 DURO, AS-010, (REF 1/4 X 3/8 X 1/16), CLASSIC OVRD
9	2	V-81	SCREW, 8-32 X 5/16, SOCKET SET, FULL DOG POINT
8	2	V-212	SCREW, #2 X 3/16 DRIVE, TYPE U, OVAL HEAD, STAINLESS STEEL
7	1	AN-114	NAMEPLATE, BLANK, FOR VALVES WITH SPRINGS OR DETENTS
6	1	SSA48-0	ADAPTOR, 'A' SIDE, CLASSIC SOL., OVERRIDE, 1/2", 3/4" & 1" VALVE
5	8	V-47	SCREW, 1/4-20 X 1, SOCKET HEAD CAP
4	1	AY-SY4GO-LSO	ASSY - SPR CTR, FLOAT CTR SPL, CLASSIC SOL, LESS OPER, LCKNG OVRD, 1/2" VALVES
3	2	ECG48	GASKET - END CAP, 1/2", 3/4" & 1" VALVE
2	6	V-6	O-RING, BUNA-N, 70 DURO, AS-216, (REF 1-1/8 X 1-3/8 X 1/8), 1/2" VALVES, 1" SUBPLATE
1	1	B4-1	BODY, 1/2" SIDE PORT, UPPER PILOTS, ANODIZED
FLG	QTY	PART NO	DESCRIPTION

LIMITS ON DIMENSIONS UNLESS OTHERWISE SPECIFIED		2-PL DECIMAL ± .01 3-PL DECIMAL ± .005 FRACTIONAL ± 1/64 ANGULAR ± 1/2°		<b>AAA PRODUCTS INTERNATIONAL</b> 7114 Harry Hines Blvd Dallas, TX 75235		
DRAWN: RMckenna		DATE: 9/16/2019			CHECKED: KWaite	DATE: 9/16/2019
SCALE: 1 : 1		SHEET: 1 OF 1		RELEASED: HWomack		DATE: 9/16/2019
TITLE: <b>1/2" SIDE PORT, DBL SOL, 3 POS,          FLOAT SPR CTR, CLASSIC SOL, 120/60,          LCKNG OVRD, THD VENT, EXT PILOT</b>				PART NO.:	REV.:	
				SY4GOTZ		

OPERATOR VOLTAGES	
PART NO	REPLACE OPERATOR
SY4GOTZ 12VDC	AY-38T-5
SY4GOTZ 24VDC	AY-38T-8
SY4GOTZ 240/60	AY-38T-17



THE INFORMATION CONTAINED WITHIN THIS DOCUMENT IS PROPRIETARY TO AAA PRODUCTS AND MAY NOT BE DISCLOSED WITHOUT PRIOR WRITTEN CONSENT

D:\Engineering\Product Valve Assembly\Classic\S\SY4GOTZ.dwg