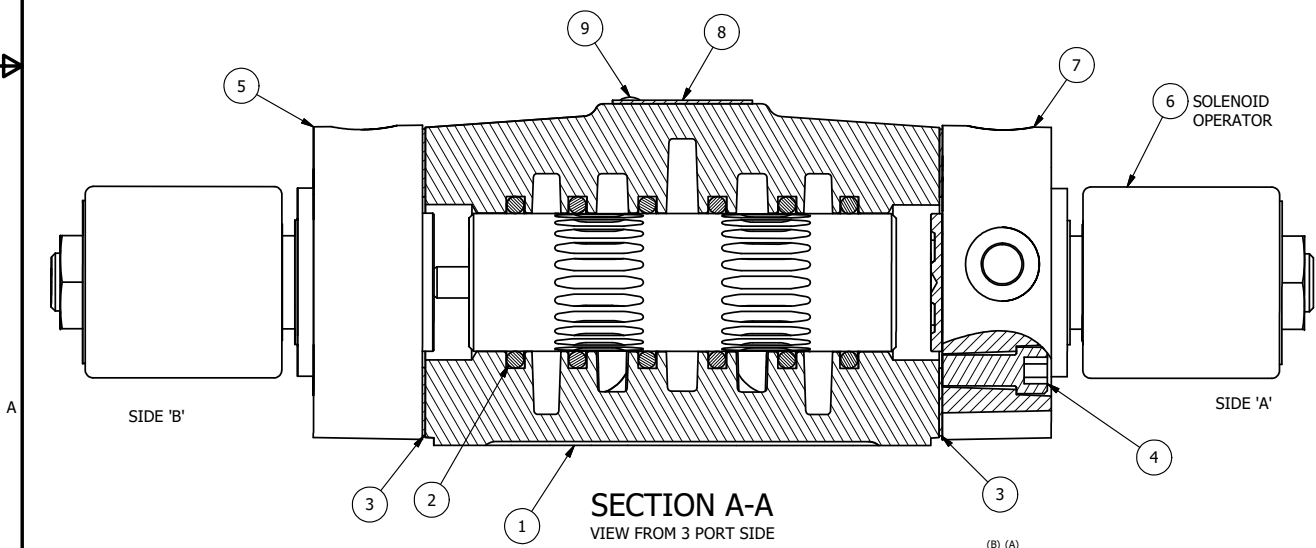


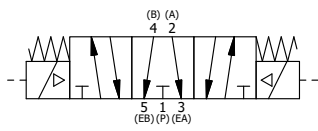
POSITION GASKET TO SEAL PILOT HOLE, BOTH SIDES.
 THE ROUND ALUMINUM ADAPTOR IS ROTATED 90 DEGREES.
 SUPPLY 50-150 PSI TO 1/8" NPTF PILOT PORT IN ADAPTOR.

NOTES:
 1) ALWAYS GIVE VALVE MODEL AND PART NUMBER WHEN ORDERING PARTS.
 2) FOR DIFFERENT VOLTAGES OTHER THAN 120/60, REPLACE SOLENOID OPERATOR WITH OPERATOR LISTED IN TABLE BELOW. REFERENCE AY-38ED DRAWING FOR REPLACEMENT COILS.



9	2	V-212	SCREW, #2 X 3/16 DRIVE, TYPE U, OVAL HEAD, STAINLESS STEEL
8	1	AN-114	NAMEPLATE, BLANK, FOR VALVES WITH SPRINGS OR DETENTS
7	1	SSA48	ADAPTOR, SOLENOID, 1/2", 3/4" & 1" VALVE
6	2	AY-38ED-11	CLASSIC SOLENOID - ISO 4400 DIN, 120/60
5	1	AY-SY4G-LSO	ASSY - SPR CTR, FLOAT CTR SPL, CLASSIC SOL, LESS OPERATOR, 1/2" VALVES
4	8	V-47	SCREW, 1/4-20 X 1, SOCKET HEAD CAP
3	2	ECG48	GASKET - END CAP, 1/2", 3/4" & 1" VALVE
2	6	V-6	O-RING, BUNA-N, 70 DURO, AS-216, (REF 1-1/8 X 1-3/8 X 1/8), 1/2" VALVES, 1" SUBPLATE
1	1	B4-1	BODY, 1/2" SIDE PORT, UPPER PILOTS, ANODIZED
FLG	QTY	PART NO	DESCRIPTION

SECTION A-A
 VIEW FROM 3 PORT SIDE



OPERATOR VOLTAGES	
PART NO	REPLACE OPERATOR
SY4GEDZ 240/60	AY-38ED-17
SY4GEDZ 24VDC	AY-38ED-8
SY4GEDZ 12VDC	AY-38ED-5

LIMITS ON DIMENSIONS UNLESS OTHERWISE SPECIFIED		2-PL DECIMAL ± .01 3-PL DECIMAL ± .005 FRACTIONAL ± 1/64 ANGULAR ± 1/2°		AAA PRODUCTS INTERNATIONAL 7114 Harry Hines Blvd Dallas, TX 75235	
DRAWN: RMckenna		DATE: 3/6/2016			
SCALE: 1 : 1		SHEET: 1 OF 1		CHECKED: KWaite DATE: 3/6/2016 RELEASED: HWomack DATE: 3/6/2016	
TITLE: 1/2" SIDE PORT, DBL SOL, 3 POS, SPR CTR, SOL SHFT, FLOAT CTR SPL, ISO 4400 DIN, 120/60, EXT PILOT				PART NO.: SY4GEDZ	REV.:

THE INFORMATION CONTAINED WITHIN THIS DOCUMENT IS PROPRIETARY TO AAA PRODUCTS AND MAY NOT BE DISCLOSED WITHOUT PRIOR WRITTEN CONSENT

D:\Engineering\product\Valve Assembly\Classic\Sy4G\Sy4GEDZ.dwg