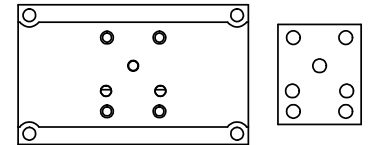
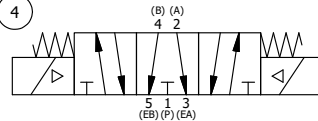
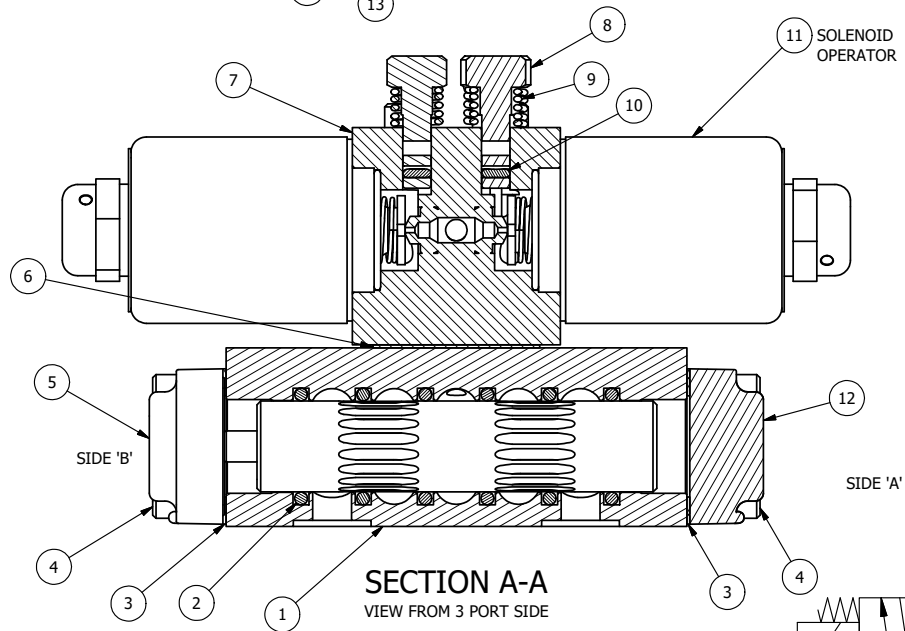


ALIGN PILOT HOLE AND CENTER CUTOUT ON BOTH SIDES.



ALIGN HOLES IN GASKET AS SHOWN.  
(FOR EXTERNAL PILOT PRESSURE, REMOVE PIGGY BACK BLOCK AND ROTATE 180°. LEAVE GASKET AS SHOWN. REMOVE 1/8" PLUG AND CONNECT SUPPLY PRESSURE - 160 PSI MAX.)

NOTES:  
1) ALWAYS GIVE VALVE MODEL AND PART NUMBER WHEN ORDERING PARTS.  
2) FOR DIFFERENT VOLTAGES OTHER THAN 120/60, REPLACE SOLENOID OPERATOR WITH OPERATOR LISTED IN TABLE BELOW. REFERENCE AY-38L DRAWING FOR REPLACEMENT COILS.



| FLG | QTY | PART NO   | DESCRIPTION   |
|-----|-----|-----------|---|
| 18  | 1   | SPK-3     | KIT - SUBPLATE MOUNTING, 3/8" SUBPLATE VALVES                         |
| 17  | 2   | V-212     | SCREW, #2 X 3/16 DRIVE, TYPE U, OVAL HEAD, STAINLESS STEEL            |
| 16  | 1   | AN-114    | NAMEPLATE, BLANK, FOR VALVES WITH SPRINGS OR DETENTS                  |
| 15  | 2   | V-81      | SCREW, 8-32 X 5/16, SOCKET SET, FULL DOG POINT                        |
| 14  | 4   | V-1       | SCREW, 10-24 X 2, SOCKET HEAD CAP                                     |
| 13  | 1   | V-19      | PLUG, SOCKET PIPE 1/8" NPT, 7/8 TAPER, FLUSH SEAL                     |
| 12  | 1   | SEC3-1    | END CAP, NON-VENTED, 380 AL, 1/4" & 3/8" VALVES                       |
| 11  | 2   | AY-38L-11 | CLASSIC SOLENOID, 120/60, W/DUST EXCLUDER                             |
| 10  | 2   | V-85      | O-RING, BUNA-N, 70 DURO, AS-010, (REF 1/4 X 3/8 X 1/16), CLASSIC OVRD |
| 9   | 2   | OS3W      | SPRING - OVERRIDE RETURN, "CLASSIC" SOLENOID                          |
| 8   | 2   | OP3-W     | OVERRIDE PIN - SPRING RETURN, 1/4" & 3/8" VALVE                       |
| 7   | 1   | PB3-4EW   | ADAPTOR - DBL SOL., NON-LOCKING OVERRIDE, 1/4" & 3/8" VALVE           |
| 6   | 1   | PBG3      | GASKET - PIGGY BACK, DOUBLE SOLENOID, 1/4" & 3/8" VALVE               |
| 5   | 1   | AY-EY3G   | SPRING CENTER SPOOL ASSY, CLASSIC SOLENOID, G SPOOL, 1/4 & 3/8 VALVES |
| 4   | 8   | V-38      | SCREW, 10-24 X 3/4, SOCKET HEAD CAP                                   |
| 3   | 2   | ECG3      | GASKET - END CAP, 1/4" & 3/8" VALVE                                   |
| 2   | 6   | V-39      | O-RING, VITON, STD BODY, 1/4" & 3/8" VALVES                           |
| 1   | 1   | BP3-6E    | BODY - SOLID, PIGGY BACK, ANODIZED, 3/8" SUBPLATE VALVE               |

|  |                  |  |  |  |
|--|------------------|--|--|--|
| LIMITS ON DIMENSIONS UNLESS OTHERWISE SPECIFIED  |                  | 2-PL DECIMAL ± .01<br>3-PL DECIMAL ± .005<br>FRACTIONAL ± 1/64<br>ANGULAR ± 1/2° |  | <b>AAA PRODUCTS INTERNATIONAL</b><br>7114 Harry Hines Blvd<br>Dallas, TX 75235 |
| DRAWN: RMckenna  |                  | DATE: 4/6/2021   |  |  |
| SCALE: 1 : 1   |                  | SHEET: 1 OF 1  |  | CHECKED: KWaite  |
| TITLE: 3/8" SUBPLATE, DBL SOL, 3 POS, FLOAT SPR CTR, CLASSIC SOL, 120/60, NON-LCKNG OVRD, EXCLDR |                  | PART NO.: SY3PGONL   |  | DATE: 4/6/2021   |
| OPERATOR VOLTAGES  |                  | RELEASED: HWomack  |  | DATE: 4/6/2021   |
| PART NO  | REPLACE OPERATOR | REV.:  |  |  |
| SY3PGONL 12VDC   | AY-38L-5         |  |  |  |
| SY3PGONL 24VDC   | AY-38L-8         |  |  |  |
| SY3PGONL 240/60  | AY-38L-17        |  |  |  |

THE INFORMATION CONTAINED WITHIN THIS DOCUMENT IS PROPRIETARY TO AAA PRODUCTS AND MAY NOT BE DISCLOSED WITHOUT PRIOR WRITTEN CONSENT

D:\Engineering\Products\Valves\Assembly\Classic\SY3PGONL.dwg