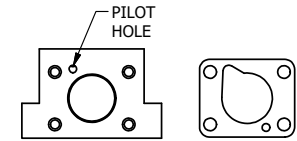


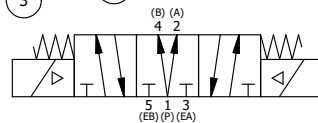
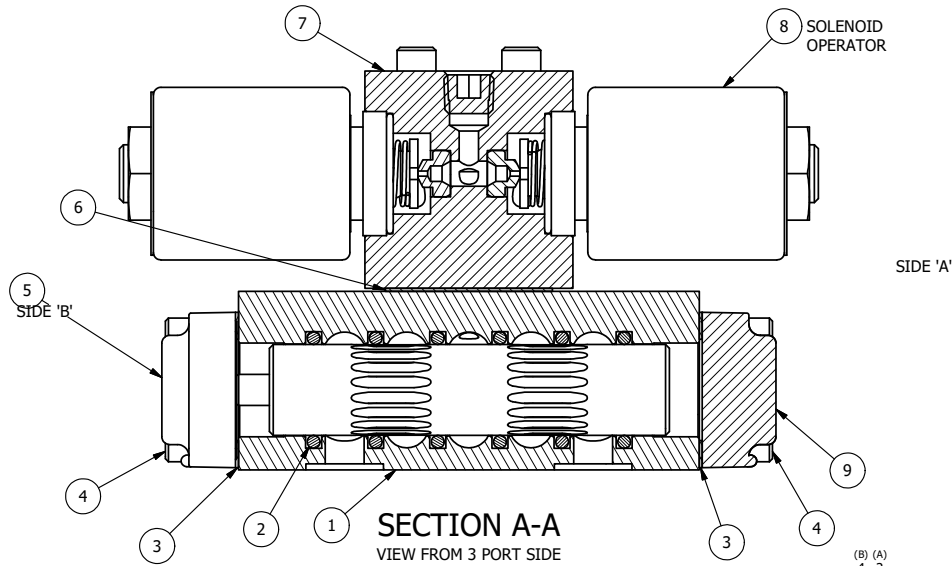
ALIGN HOLES IN GASKET AS SHOWN.
 (FOR EXTERNAL PILOT PRESSURE, REMOVE PIGGY BACK BLOCK AND ROTATE 180°. LEAVE GASKET AS SHOWN. REMOVE 1/8" PLUG AND CONNECT SUPPLY PRESSURE - 160 PSI MAX.)



ALIGN PILOT HOLE AND CENTER CUTOUT ON BOTH SIDES.

NOTES:

- 1) ALWAYS GIVE VALVE MODEL AND PART NUMBER WHEN ORDERING PARTS.
- 2) FOR DIFFERENT VOLTAGES OTHER THAN 120/60, REPLACE SOLENOID OPERATOR WITH OPERATOR LISTED IN TABLE BELOW. REFERENCE AY-38 DRAWING FOR REPLACEMENT COILS.



| FLG | QTY | PART NO | DESCRIPTION |
|-----|-----|-----------|---|
| 14 | 1 | SPK-3 | KIT - SUBPLATE MOUNTING, 3/8" SUBPLATE VALVES |
| 13 | 2 | V-212 | SCREW, #2 X 3/16 DRIVE, TYPE U, OVAL HEAD, STAINLESS STEEL |
| 12 | 1 | AN-114 | NAMEPLATE, BLANK, FOR VALVES WITH SPRINGS OR DETENTS |
| 11 | 1 | V-19 | PLUG, SOCKET PIPE 1/8" NPT (#601-3 PITTSBURG PLUG PART #.) |
| 10 | 4 | V-1 | SCREW, 10-24 X 2, SOCKET HEAD CAP |
| 9 | 1 | SEC3-1 | END CAP, NON-VENTED, 380 AL, 1/4" & 3/8" VALVES |
| 8 | 2 | AY-38M-11 | CLASSIC SOLENOID - 1/2" NPT CONDUIT, 120/60 |
| 7 | 1 | PB3-2E | ADAPTOR - DOUBLE SOLENOID, 1/4" & 3/8" VALVES |
| 6 | 1 | PBG3 | GASKET - PIGGY BACK, DOUBLE SOLENOID, 1/4" & 3/8" VALVE |
| 5 | 1 | AY-EY3G | SPRING CENTER SPOOL ASSY, CLASSIC SOLENOID, G SPOOL, 1/4 & 3/8 VALVES |
| 4 | 8 | V-38 | SCREW, 10-24 X 3/4, SOCKET HEAD CAP |
| 3 | 2 | ECG3 | GASKET - END CAP, 1/4" & 3/8" VALVE |
| 2 | 6 | V-39 | O-RING, VITON, STD BODY, 1/4" & 3/8" VALVES |
| 1 | 1 | BP3-6E | BODY - SOLID, PIGGY BACK, ANODIZED, 3/8" SUBPLATE VALVE |

| LIMITS ON DIMENSIONS UNLESS OTHERWISE SPECIFIED | | 2-PL DECIMAL ± .01 3-PL DECIMAL ± .005 FRACTIONAL ± 1/64 ANGULAR ± 1/2° | AAA PRODUCTS INTERNATIONAL 7114 Harry Hines Blvd Dallas, TX 75235 | | | | | | | | | | | |
|--|------------------|--|--|-----------------|-----------------|------------------|---------------|-----------|--------------|----------|--------------|----------|--------|--|
| DRAWN: RMckenna | | DATE: 5/6/2015 | | CHECKED: KWaite | DATE: 5/30/2015 | | | | | | | | | |
| SCALE: 1 : 1 | | SHEET: 1 OF 1 | RELEASED: HWomack | DATE: 5/30/2015 | | | | | | | | | | |
| TITLE: 3/8" SUBPLATE, DBL SOL, 3 POS, SPR CTR, SOL SHFT, FLOAT CTR SPL, MOLD-OVER, 120/60 | | | PART NO.: | REV.: | | | | | | | | | | |
| <table border="1"> <thead> <tr> <th colspan="2">OPERATOR VOLTAGES</th> </tr> <tr> <th>PART NO</th> <th>REPLACE OPERATOR</th> </tr> </thead> <tbody> <tr> <td>SY3PGM 240/60</td> <td>AY-38M-17</td> </tr> <tr> <td>SY3PGM 24VDC</td> <td>AY-38M-8</td> </tr> <tr> <td>SY3PGM 12VDC</td> <td>AY-38M-5</td> </tr> </tbody> </table> | | | OPERATOR VOLTAGES | | PART NO | REPLACE OPERATOR | SY3PGM 240/60 | AY-38M-17 | SY3PGM 24VDC | AY-38M-8 | SY3PGM 12VDC | AY-38M-5 | SY3PGM | |
| OPERATOR VOLTAGES | | | | | | | | | | | | | | |
| PART NO | REPLACE OPERATOR | | | | | | | | | | | | | |
| SY3PGM 240/60 | AY-38M-17 | | | | | | | | | | | | | |
| SY3PGM 24VDC | AY-38M-8 | | | | | | | | | | | | | |
| SY3PGM 12VDC | AY-38M-5 | | | | | | | | | | | | | |

THE INFORMATION CONTAINED WITHIN THIS DOCUMENT IS PROPRIETARY TO AAA PRODUCTS AND MAY NOT BE DISCLOSED WITHOUT PRIOR WRITTEN CONSENT

P:\Engineering\product\Valve Assembly\Classic\SY3PGM\SY3PGM.dwg