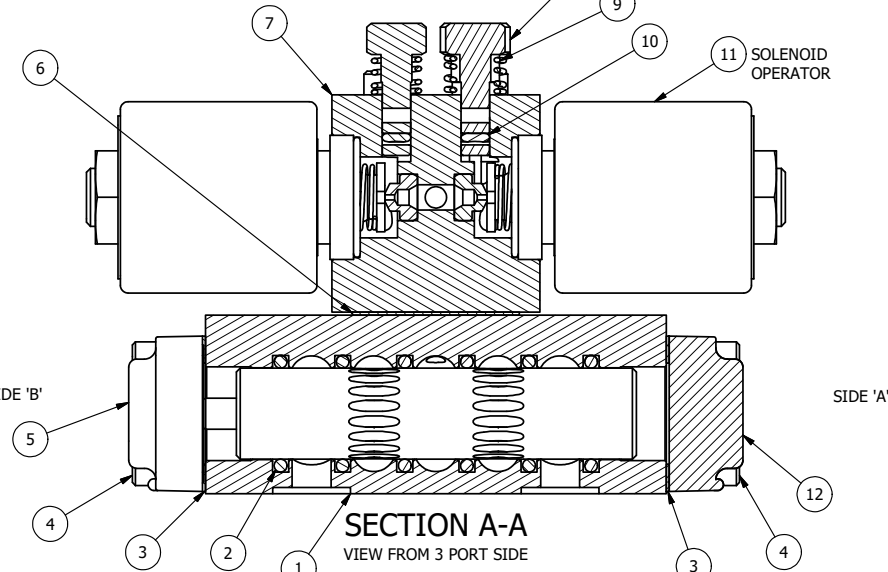
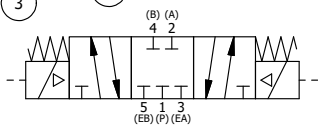


NOTES:  
 1) ALWAYS GIVE VALVE MODEL AND PART NUMBER WHEN ORDERING PARTS.  
 2) FOR DIFFERENT VOLTAGES OTHER THAN 120/60, REPLACE SOLENOID OPERATOR WITH OPERATOR LISTED IN TABLE BELOW. REFERENCE AY-38ED DRAWING FOR REPLACEMENT COILS.



17	1	SPK-3	KIT - SUBPLATE MOUNTING, 3/8" SUBPLATE VALVES
16	2	V-212	SCREW, #2 X 3/16 DRIVE, TYPE U, OVAL HEAD, STAINLESS STEEL
15	1	AN-114	NAMEPLATE, BLANK, FOR VALVES WITH SPRINGS OR DETENTS
14	4	V-1	SCREW, 10-24 X 2, SOCKET HEAD CAP
13	2	V-81	SCREW, 8-32 X 5/16, SOCKET SET, FULL DOG POINT
12	1	SEC3-1	END CAP, NON-VENTED, 380 AL, 1/4" & 3/8" VALVES
11	2	AY-38ED-11	CLASSIC SOLENOID - ISO 4400 DIN, 120/60
10	2	V-85	O-RING, BUNA-N, 70 DURO, AS-010, (REF 1/4 X 3/8 X 1/16), CLASSIC OVRD
9	2	OS3	SPRING - MANUAL OVERRIDE, "CLASSIC" SOLENOID
8	2	OP3	PIN - MANUAL OVERRIDE, 1/4" & 3/8" VALVES
7	1	PB3-4E	ADAPTOR - DBL SOL., W/OVERRIDE, 1/4" & 3/8" VALVES
6	1	PBG3	GASKET - PIGGY BACK, DOUBLE SOLENOID, 1/4" & 3/8" VALVE
5	1	AY-EY3	SPRING CENTER SPOOL ASSY, CLASSIC SOLENOID, 1/4 & 3/8 VALVES
4	8	V-38	SCREW, 10-24 X 3/4, SOCKET HEAD CAP
3	2	ECG3	GASKET - END CAP, 1/4" & 3/8" VALVE
2	6	V-39	O-RING, VITON, STD BODY, 1/4" & 3/8" VALVES
1	1	BP3-6E	BODY - SOLID, PIGGY BACK, ANODIZED, 3/8" SUBPLATE VALVE
FLG	QTY	PART NO	DESCRIPTION

LIMITS ON DIMENSIONS UNLESS OTHERWISE SPECIFIED		2-PL DECIMAL ± .01 3-PL DECIMAL ± .005 FRACTIONAL ± 1/64 ANGULAR ± 1/2°		<p><b>AAA PRODUCTS INTERNATIONAL</b>          7114 Harry Hines Blvd          Dallas, TX 75235</p>												
DRAWN: RMckenna	DATE: 12/17/2016	CHECKED: KWaite	DATE: 12/17/2016													
SCALE: 1 : 1	SHEET: 1 OF 1	RELEASED: HWomack	DATE: 12/17/2016													
<table border="1"> <thead> <tr> <th colspan="2">OPERATOR VOLTAGES</th> </tr> <tr> <th>PART NO</th> <th>REPLACE OPERATOR</th> </tr> </thead> <tbody> <tr> <td>SY3PEDOZ 240/60</td> <td>AY-38ED-17</td> </tr> <tr> <td>SY3PEDOZ 24VDC</td> <td>AY-38ED-8</td> </tr> <tr> <td>SY3PEDOZ 12VDC</td> <td>AY-38ED-5</td> </tr> </tbody> </table>		OPERATOR VOLTAGES		PART NO	REPLACE OPERATOR	SY3PEDOZ 240/60	AY-38ED-17	SY3PEDOZ 24VDC	AY-38ED-8	SY3PEDOZ 12VDC	AY-38ED-5	<table border="1"> <tr> <td>TITLE: <b>3/8" SUBPLATE, DBL SOL, 3 POS, SPR CTR, CLSD CTR SPL, ISO 4400, 120/60, LCKNG OVRD, EXT PILOT</b></td> <td>PART NO.: <b>SY3PEDOZ</b></td> <td>REV.:</td> </tr> </table>		TITLE: <b>3/8" SUBPLATE, DBL SOL, 3 POS, SPR CTR, CLSD CTR SPL, ISO 4400, 120/60, LCKNG OVRD, EXT PILOT</b>	PART NO.: <b>SY3PEDOZ</b>	REV.:
OPERATOR VOLTAGES																
PART NO	REPLACE OPERATOR															
SY3PEDOZ 240/60	AY-38ED-17															
SY3PEDOZ 24VDC	AY-38ED-8															
SY3PEDOZ 12VDC	AY-38ED-5															
TITLE: <b>3/8" SUBPLATE, DBL SOL, 3 POS, SPR CTR, CLSD CTR SPL, ISO 4400, 120/60, LCKNG OVRD, EXT PILOT</b>	PART NO.: <b>SY3PEDOZ</b>	REV.:														



THE INFORMATION CONTAINED WITHIN THIS DOCUMENT IS PROPRIETARY TO AAA PRODUCTS AND MAY NOT BE DISCLOSED WITHOUT PRIOR WRITTEN CONSENT