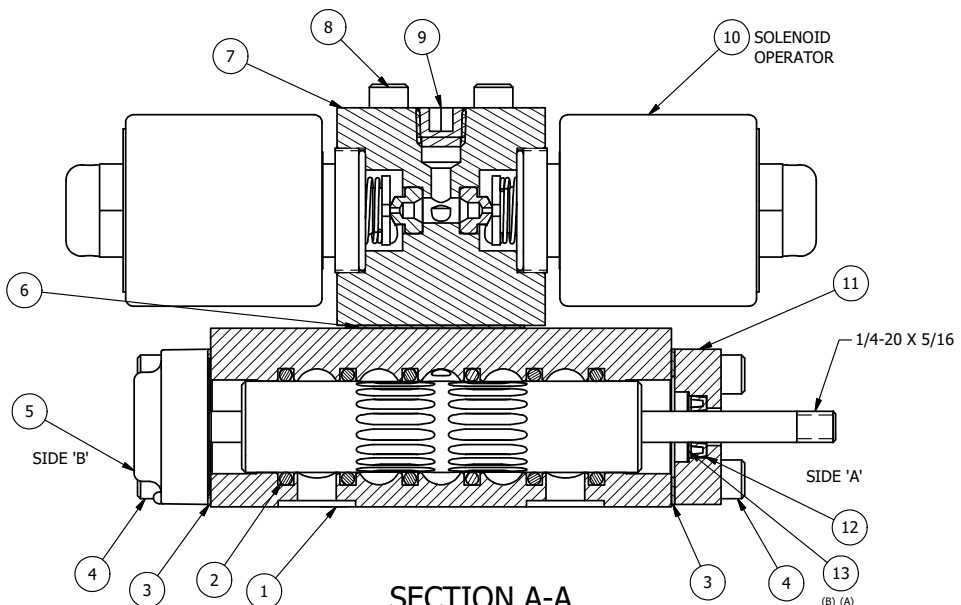
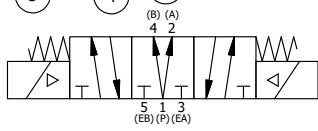


NOTES:
 1) ALWAYS GIVE VALVE MODEL AND PART NUMBER WHEN ORDERING PARTS.
 2) FOR DIFFERENT VOLTAGES OTHER THAN 120/60, REPLACE SOLENOID OPERATOR WITH OPERATOR LISTED IN TABLE BELOW. REFERENCE AY-38EDL DRAWING FOR REPLACEMENT COILS.



15	2	V-212	SCREW, #2 X 3/16 DRIVE, TYPE U, OVAL HEAD, STAINLESS STEEL
14	1	AN-114	NAMEPLATE, BLANK, FOR VALVES WITH SPRINGS OR DETENTS
13	1	V-119	RING, CIRCULAR PUSH ON TYPE FOR INDICATOR PIN
12	1	V-78	U-CUP, 1/2 X 1/4 X 1/8, NITRILE
11	1	PEC3-5	END CAP, INDICATOR PIN, WIPER CAVITY, 6061-T6, 1/4" & 3/8" VALVE
10	2	AY-38EDL-11	CLASSIC SOLENOID - ISO 4400 DIN, DUST EXCLUDER NUT, 120/60
9	1	V-19	PLUG, 1/8-27 NPT, 7/8 TAPER, FLUSH SEAL, SOCKET PIPE PLUG W/LOCTITE RED VIBRA-SEAL
8	4	V-1	SCREW, 10-24 X 2, SOCKET HEAD CAP
7	1	PB3-2E	ADAPTOR - DOUBLE SOLENOID, 1/4" & 3/8" VALVES
6	1	PBG3	GASKET - PIGGY BACK, DOUBLE SOLENOID, 1/4" & 3/8" VALVE
5	1	AY-EY3DOS	ASSY - SPR CTR, REGEN CTR SPL, MAN SPL OVRD, 1/4 & 3/8 VALVES
4	8	V-38	SCREW, 10-24 X 3/4, SOCKET HEAD CAP
3	2	ECG3	GASKET - END CAP, 1/4" & 3/8" VALVE
2	6	V-39	O-RING, VITON, STD BODY, 1/4" & 3/8" VALVES
1	1	BP3-6E	BODY - SOLID, PIGGY BACK, ANODIZED, 3/8" SUBPLATE VALVE
FLG	QTY	PART NO	DESCRIPTION

LIMITS ON DIMENSIONS UNLESS OTHERWISE SPECIFIED	2-PL DECIMAL ± .01	AAA PRODUCTS INTERNATIONAL 7114 Harry Hines Blvd Dallas, TX 75235									
	3-PL DECIMAL ± .005										
	FRACTIONAL ± 1/64										
	ANGULAR ± 1/2°										
DRAWN: RMckenna	DATE: 2/22/2025	CHECKED: KWaite	DATE: 2/22/2025								
SCALE: 1 : 1	SHEET: 1 OF 1	RELEASED: HWomack	DATE: 2/22/2025								
TITLE: 3/8" SUBPLATE, DBL SOL, 3 POS, SPR REGEN CTR, ISO 4400, 120/60, DUST EXCLDR, THD INDCTR PIN		PART NO.:	REV.:								
OPERATOR VOLTAGES <table border="1"> <tr> <th>PART NO</th> <th>REPLACE OPERATOR</th> </tr> <tr> <td>SY3PDEDLK 12VDC</td> <td>AY-38EDL-5</td> </tr> <tr> <td>SY3PDEDLK 24VDC</td> <td>AY-38EDL-8</td> </tr> <tr> <td>SY3PDEDLK 240/60</td> <td>AY-38EDL-17</td> </tr> </table>		PART NO	REPLACE OPERATOR	SY3PDEDLK 12VDC	AY-38EDL-5	SY3PDEDLK 24VDC	AY-38EDL-8	SY3PDEDLK 240/60	AY-38EDL-17	SY3PDEDLK	
PART NO	REPLACE OPERATOR										
SY3PDEDLK 12VDC	AY-38EDL-5										
SY3PDEDLK 24VDC	AY-38EDL-8										
SY3PDEDLK 240/60	AY-38EDL-17										



THE INFORMATION CONTAINED WITHIN THIS DOCUMENT IS PROPRIETARY TO AAA PRODUCTS AND MAY NOT BE DISCLOSED WITHOUT PRIOR WRITTEN CONSENT

P:\Engineering\product\valves\assembly\classict\3\"/>