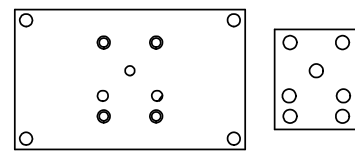


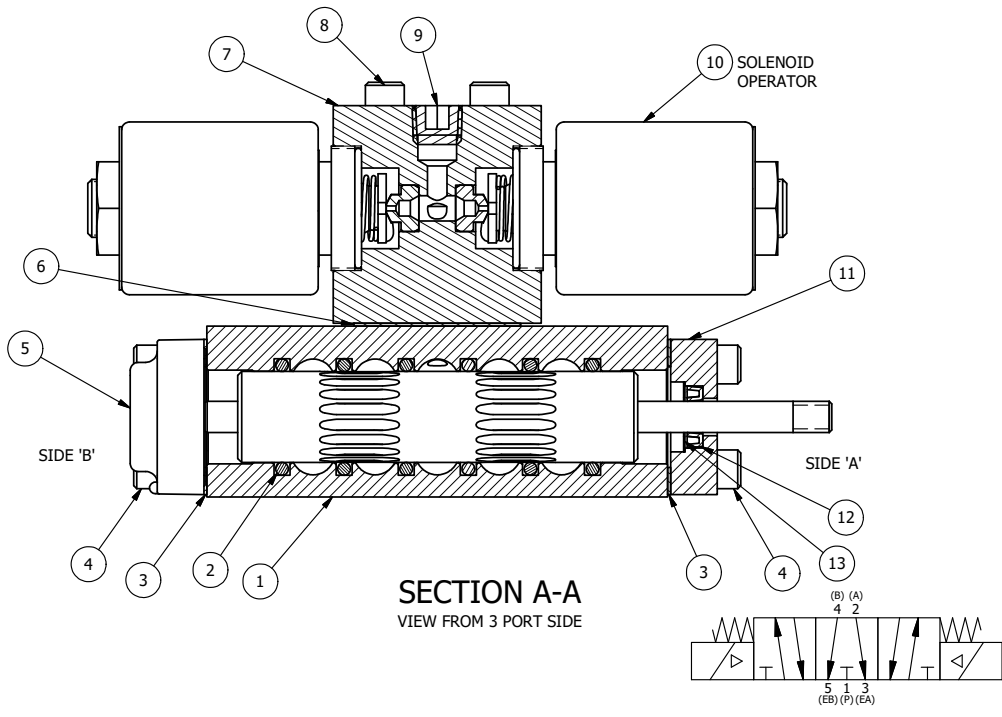
ALIGN PILOT HOLE AND CENTER CUTOUT ON BOTH SIDES.



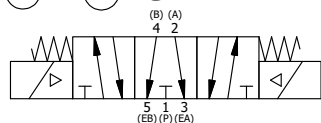
ALIGN HOLES IN GASKET AS SHOWN.  
(FOR EXTERNAL PILOT PRESSURE, REMOVE PIGGY BACK BLOCK AND ROTATE 180°. LEAVE GASKET AS SHOWN. REMOVE 1/8" PLUG AND CONNECT SUPPLY PRESSURE - 160 PSI MAX.)

NOTES:

- 1) ALWAYS GIVE VALVE MODEL AND PART NUMBER WHEN ORDERING PARTS.
- 2) FOR DIFFERENT VOLTAGES OTHER THAN 120/60, REPLACE SOLENOID OPERATOR WITH OPERATOR LISTED IN TABLE BELOW. REFERENCE AY-38M DRAWING FOR REPLACEMENT COILS.



SECTION A-A  
VIEW FROM 3 PORT SIDE



15	2	V-212	SCREW, #2 X 3/16 DRIVE, TYPE U, OVAL HEAD, STAINLESS STEEL
14	1	AN-114	NAMEPLATE, BLANK, FOR VALVES WITH SPRINGS OR DETENTS
13	1	V-119	RING, CIRCULAR PUSH ON TYPE FOR INDICATOR PIN
12	1	V-78	U-CUP, 1/2 X 1/4 X 1/8, NITRILE
11	1	PEC3-5	END CAP, INDICATOR PIN, WIPER CAVITY, 6061-T6, 1/4" & 3/8" VALVE
10	2	AY-38M-11	CLASSIC SOLENOID - 1/2" NPT CONDUIT, 120/60
9	1	V-19	PLUG, SOCKET PIPE 1/8" NPT (#601-3 PITTSBURG PLUG PART #.)
8	4	V-1	SCREW, 10-24 X 2, SOCKET HEAD CAP
7	1	PB3-2E	ADAPTOR - DOUBLE SOLENOID, 1/4" & 3/8" VALVES
6	1	PBG3	GASKET - PIGGY BACK, DOUBLE SOLENOID, 1/4" & 3/8" VALVE
5	1	AY-EY3GOS	ASSY - SPR CTR, FLOAT CTR SPL, MAN SPL OVRD, 1/4 & 3/8 VALVES
4	8	V-38	SCREW, 10-24 X 3/4, SOCKET HEAD CAP
3	2	ECG3	GASKET - END CAP, 1/4" & 3/8" VALVE
2	6	V-39	O-RING, VITON, STD BODY, 1/4" & 3/8" VALVES
1	1	B3-6E	BODY - SOLID, PIGGY BACK, ANODIZED, 3/8" SIDE PORT VALVE
FLG	QTY	PART NO	DESCRIPTION

LIMITS ON DIMENSIONS  
UNLESS OTHERWISE SPECIFIED  
2-PL DECIMAL ± .01  
3-PL DECIMAL ± .005  
FRACTIONAL ± 1/64  
ANGULAR ± 1/2°



DRAWN: RMckenna DATE: 3/12/2016  
SCALE: 1 : 1 SHEET: 1 OF 1

CHECKED: KWaite DATE: 3/12/2016  
RELEASED: HWomack DATE: 3/12/2016

OPERATOR VOLTAGES	
PART NO	REPLACE OPERATOR
SY3GMK 240/60	AY-38M-17
SY3GMK 24VDC	AY-38M-8
SY3GMK 12VDC	AY-38M-5

TITLE:  
**3/8" SIDE PORT, DBL SOL, 3 POS,  
SPR CTR, FLOAT CTR SPL, MOLD-OVER,  
120/60, THREADED INDICATOR**

PART NO.:  
**SY3GMK**

THE INFORMATION CONTAINED WITHIN THIS DOCUMENT IS PROPRIETARY TO AAA PRODUCTS AND MAY NOT BE DISCLOSED WITHOUT PRIOR WRITTEN CONSENT

P:\Engineering\product\Valve Assembly\Classic\SY3GMK\SY3GMK.dwg