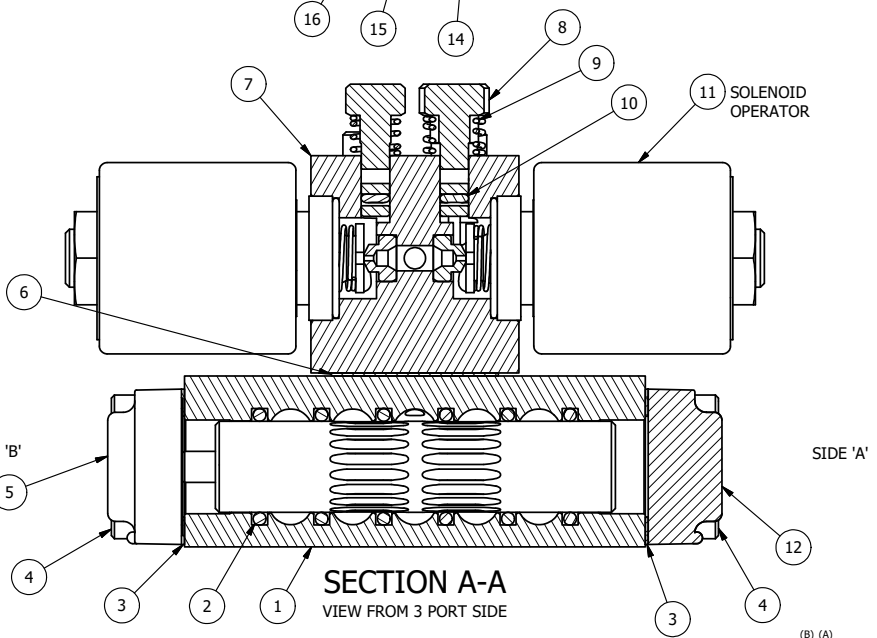
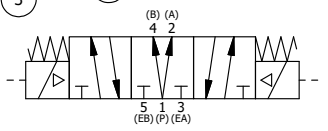


NOTES:  
 1) ALWAYS GIVE VALVE MODEL AND PART NUMBER WHEN ORDERING PARTS.  
 2) FOR DIFFERENT VOLTAGES OTHER THAN 120/60, REPLACE SOLENOID OPERATOR WITH OPERATOR LISTED IN TABLE BELOW. REFERENCE AY-38ED DRAWING FOR REPLACEMENT COILS.



|     |     |            |   |
|-----|-----|------------|---|
| 16  | 2   | V-212      | SCREW, #2 X 3/16 DRIVE, TYPE U, OVAL HEAD, STAINLESS STEEL            |
| 15  | 1   | AN-114     | NAMEPLATE, BLANK, FOR VALVES WITH SPRINGS OR DETENTS                  |
| 14  | 4   | V-1        | SCREW, 10-24 X 2, SOCKET HEAD CAP                                     |
| 13  | 2   | V-81       | SCREW, 8-32 X 5/16, SOCKET SET, FULL DOG POINT                        |
| 12  | 1   | SEC3-1     | END CAP, NON-VENTED, 380 AL, 1/4" & 3/8" VALVES                       |
| 11  | 2   | AY-38ED-11 | CLASSIC SOLENOID - ISO 4400 DIN, 120/60                               |
| 10  | 2   | V-85       | O-RING, BUNA-N, 70 DURO, AS-010, (REF 1/4 X 3/8 X 1/16), CLASSIC OVRD |
| 9   | 2   | OS3        | SPRING - MANUAL OVERRIDE, "CLASSIC" SOLENOID                          |
| 8   | 2   | OP3        | PIN - MANUAL OVERRIDE, 1/4" & 3/8" VALVES                             |
| 7   | 1   | PB3-4E     | ADAPTOR - DBL SOL., W/OVERRIDE, 1/4" & 3/8" VALVES                    |
| 6   | 1   | PBG3       | GASKET - PIGGY BACK, DOUBLE SOLENOID, 1/4" & 3/8" VALVE               |
| 5   | 1   | AY-EY3D    | ASSY - SPR CTR, REGEN CTR SPL, CLASSIC SOLENOID, 1/4 & 3/8 VALVES     |
| 4   | 8   | V-38       | SCREW, 10-24 X 3/4, SOCKET HEAD CAP                                   |
| 3   | 2   | ECG3       | GASKET - END CAP, 1/4" & 3/8" VALVE                                   |
| 2   | 6   | V-39       | O-RING, VITON, STD BODY, 1/4" & 3/8" VALVES                           |
| 1   | 1   | B3-6E      | BODY - SOLID, PIGGY BACK, ANODIZED, 3/8" SIDE PORT VALVE              |
| FLG | QTY | PART NO    | DESCRIPTION   |

|  |                  |   |                  |   |
|--|------------------|---|------------------|---|
| LIMITS ON DIMENSIONS<br>UNLESS OTHERWISE SPECIFIED |                  | 2-PL DECIMAL ± .01<br>3-PL DECIMAL ± .005<br>FRACTIONAL ± 1/64<br>ANGULAR ± 1/2°                |                  | <p><b>AAA PRODUCTS INTERNATIONAL</b><br/>         7114 Harry Hines Blvd<br/>         Dallas, TX 75235</p> |
| DRAWN: RMckenna                                    | DATE: 12/18/2016 | CHECKED: KWaite   | DATE: 12/18/2016 |   |
| SCALE: 1 : 1                                       | SHEET: 1 OF 1    | RELEASED: HWomack   | DATE: 12/18/2016 |   |
| OPERATOR VOLTAGES                                  |                  | TITLE:  |                  | PART NO.:   |
| PART NO  | REPLACE OPERATOR | 3/8" SIDE PORT, DBL SOL, 3 POS, SPR CTR, REGEN CTR SPL, ISO 4400, 120/60, LCKNG OVRD, EXT PILOT |                  | SY3DEDOZ  |
| SY3DEDOZ 240/60                                    | AY-38ED-17       |   |                  |   |
| SY3DEDOZ 24VDC                                     | AY-38ED-8        |   |                  |   |
| SY3DEDOZ 12VDC                                     | AY-38ED-5        |   |                  |   |



| OPERATOR VOLTAGES |                  |
|-------------------|------------------|
| PART NO           | REPLACE OPERATOR |
| SY3DEDOZ 240/60   | AY-38ED-17       |
| SY3DEDOZ 24VDC    | AY-38ED-8        |
| SY3DEDOZ 12VDC    | AY-38ED-5        |

THE INFORMATION CONTAINED WITHIN THIS DOCUMENT IS PROPRIETARY TO AAA PRODUCTS AND MAY NOT BE DISCLOSED WITHOUT PRIOR WRITTEN CONSENT

D:\Engineering\Product\Valve Assembly\Classic\SY3DEDOZ.dwg