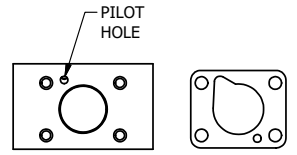
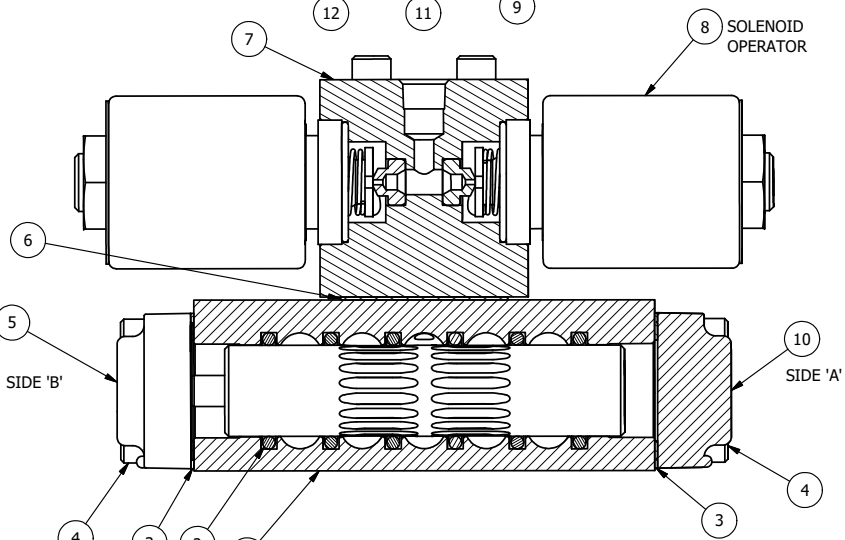


ALIGN HOLES IN GASKET AS SHOWN.
(PIGGY BACK IS ROTATED 180°. CONNECT SUPPLY PRESSURE - 160 PSI MAX.)

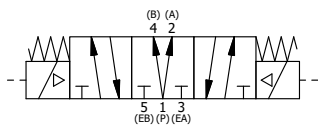


ALIGN PILOT HOLE AND CENTER CUTOUT ON BOTH SIDES.

NOTES:
1) ALWAYS GIVE VALVE MODEL AND PART NUMBER WHEN ORDERING PARTS.
2) FOR DIFFERENT VOLTAGES OTHER THAN 120/60, REPLACE SOLENOID OPERATOR WITH OPERATOR LISTED IN TABLE BELOW. REFERENCE AY-38M DRAWING FOR REPLACEMENT COILS.



SECTION A-A
VIEW FROM 3 PORT SIDE



FLG	QTY	PART NO	DESCRIPTION
12	2	V-212	SCREW, #2 X 3/16 DRIVE, TYPE U, OVAL HEAD, STAINLESS STEEL
11	1	AN-114	NAMEPLATE, BLANK, FOR VALVES WITH SPRINGS OR DETENTS
10	1	SEC3-1	END CAP, NON-VENTED, 380 AL, 1/4" & 3/8" VALVES
9	4	V-1	SCREW, 10-24 X 2, SOCKET HEAD CAP
8	2	AY-38M-11	CLASSIC SOLENOID - 1/2" NPT CONDUIT, 120/60
7	1	PB3-2E	ADAPTOR - DOUBLE SOLENOID, 1/4" & 3/8" VALVES
6	1	PBG3	GASKET - PIGGY BACK, DOUBLE SOLENOID, 1/4" & 3/8" VALVE
5	1	AY-EY3D	ASSY - SPR CTR, REGEN CTR SPL, CLASSIC SOLENOID, 1/4 & 3/8 VALVES
4	8	V-38	SCREW, 10-24 X 3/4, SOCKET HEAD CAP
3	2	ECG3	GASKET - END CAP, 1/4" & 3/8" VALVE
2	6	V-39	O-RING, VITON, STD BODY, 1/4" & 3/8" VALVES
1	1	B2-6E	BODY - SOLID, PIGGY BACK, ANODIZED, 1/4" SIDE PORT VALVE

LIMITS ON DIMENSIONS
UNLESS OTHERWISE SPECIFIED
2-PL DECIMAL ± .01
3-PL DECIMAL ± .005
FRACTIONAL ± 1/64
ANGULAR ± 1/2°

AAA PRODUCTS INTERNATIONAL
7114 Harry Hines Blvd
Dallas, TX 75235

DRAWN: RMckenna DATE: 3/13/2016 CHECKED: KWaite DATE: 3/13/2016
SCALE: 1 : 1 SHEET: 1 OF 1 RELEASED: HWomack DATE: 3/13/2016

OPERATOR VOLTAGES	
PART NO	REPLACE OPERATOR
SY2DMZ 240/60	AY-38M-17
SY2DMZ 24VDC	AY-38M-8
SY2DMZ 12VDC	AY-38M-5

TITLE:
1/4" SIDE PORT, DBL SOL, 3 POS, SPR CTR, SOL SHFT, REGEN CTR SPL, MOLD-OVER, 120/60, EXT PILOT

PART NO.: **SY2DMZ** REV.:

THE INFORMATION CONTAINED WITHIN THIS DOCUMENT IS PROPRIETARY TO AAA PRODUCTS AND MAY NOT BE DISCLOSED WITHOUT PRIOR WRITTEN CONSENT

P:\Engineering\Product\Valve Assembly\Classic\SY2DMZ.dwg