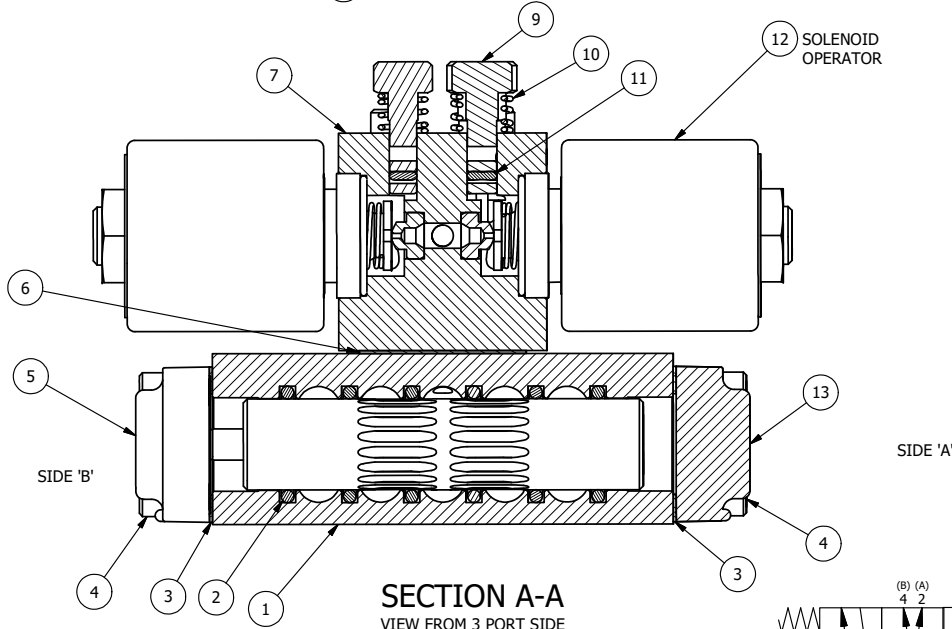


ALIGN PILOT HOLE AND CENTER CUTOUT ON BOTH SIDES.

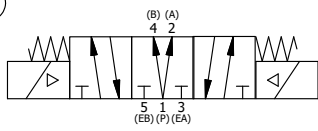
ALIGN HOLES IN GASKET AS SHOWN.  
(FOR EXTERNAL PILOT PRESSURE, REMOVE PIGGY BACK BLOCK AND ROTATE 180°. LEAVE GASKET AS SHOWN. REMOVE 1/8" PLUG AND CONNECT SUPPLY PRESSURE - 160 PSI MAX.)

NOTES:  
1) ALWAYS GIVE VALVE MODEL AND PART NUMBER WHEN ORDERING PARTS.  
2) FOR DIFFERENT VOLTAGES OTHER THAN 120/60, REPLACE SOLENOID OPERATOR WITH OPERATOR LISTED IN TABLE BELOW. REFERENCE AY-38EDT DRAWING FOR REPLACEMENT COILS.



|     |     |             |   |
|-----|-----|-------------|---|
| 17  | 2   | V-212       | SCREW, #2 X 3/16 DRIVE, TYPE U, OVAL HEAD, STAINLESS STEEL            |
| 16  | 1   | AN-114      | NAMEPLATE, BLANK, FOR VALVES WITH SPRINGS OR DETENTS                  |
| 15  | 2   | V-81        | SCREW, 8-32 X 5/16, SOCKET SET, FULL DOG POINT                        |
| 14  | 4   | V-1         | SCREW, 10-24 X 2, SOCKET HEAD CAP                                     |
| 13  | 1   | SEC3-1      | END CAP, NON-VENTED, 380 AL, 1/4" & 3/8" VALVES                       |
| 12  | 2   | AY-38EDT-11 | CLASSIC SOLENOID - ISO 4400 DIN, 1/8" NPTF SOL EXHST, 120/60          |
| 11  | 2   | V-85        | O-RING, BUNA-N, 70 DURO, AS-010, (REF 1/4 X 3/8 X 1/16), CLASSIC OVRD |
| 10  | 2   | OS3         | SPRING - MANUAL OVERRIDE, "CLASSIC" SOLENOID                          |
| 9   | 2   | OP3         | PIN - MANUAL OVERRIDE, 1/4" & 3/8" VALVES                             |
| 8   | 1   | V-19        | PLUG, SOCKET PIPE 1/8" NPT (#601-3 PITTSBURG PLUG PART #.)            |
| 7   | 1   | PB3-4E      | ADAPTOR - DBL SOL., W/OVERRIDE, 1/4" & 3/8" VALVES                    |
| 6   | 1   | PBG3        | GASKET - PIGGY BACK, DOUBLE SOLENOID, 1/4" & 3/8" VALVE               |
| 5   | 1   | AY-EY3D     | ASSY - SPR CTR, REGEN CTR SPL, CLASSIC SOLENOID, 1/4 & 3/8 VALVES     |
| 4   | 8   | V-38        | SCREW, 10-24 X 3/4, SOCKET HEAD CAP                                   |
| 3   | 2   | ECG3        | GASKET - END CAP, 1/4" & 3/8" VALVE                                   |
| 2   | 6   | V-39        | O-RING, VITON, STD BODY, 1/4" & 3/8" VALVES                           |
| 1   | 1   | B2-6E       | BODY - SOLID, PIGGY BACK, ANODIZED, 1/4" SIDE PORT VALVE              |
| FLG | QTY | PART NO     | DESCRIPTION   |

| LIMITS ON DIMENSIONS UNLESS OTHERWISE SPECIFIED   |                  | 2-PL DECIMAL ± .01<br>3-PL DECIMAL ± .005<br>FRACTIONAL ± 1/64<br>ANGULAR ± 1/2° | <b>AAA PRODUCTS INTERNATIONAL</b><br>7114 Harry Hines Blvd<br>Dallas, TX 75235 |                 |            |                |            |                 |             |  |                              |
|---|------------------|--|--|-----------------|------------|----------------|------------|-----------------|-------------|--|------------------------------|
| DRAWN: RMckenna   | DATE: 4/25/2020  | CHECKED: KWaite  |  | DATE: 4/25/2020 |            |                |            |                 |             |  |                              |
| SCALE: 1 : 1  | SHEET: 1 OF 1    | RELEASED: HWomack  | DATE: 4/25/2020  |                 |            |                |            |                 |             |  |                              |
| OPERATOR VOLTAGES<br><table border="1"> <tr> <th>PART NO</th> <th>REPLACE OPERATOR</th> </tr> <tr> <td>SY2DEDOT 12VDC</td> <td>AY-38EDT-5</td> </tr> <tr> <td>SY2DEDOT 24VDC</td> <td>AY-38EDT-8</td> </tr> <tr> <td>SY2DEDOT 240/60</td> <td>AY-38EDT-17</td> </tr> </table> |                  | PART NO  | REPLACE OPERATOR   | SY2DEDOT 12VDC  | AY-38EDT-5 | SY2DEDOT 24VDC | AY-38EDT-8 | SY2DEDOT 240/60 | AY-38EDT-17 | TITLE:<br><b>1/4" SIDE PORT, DBL SOL, 3 POS, REGEN SPR CTR, ISO 4400 DIN, 120/60, LCKNG OVRD, TPD VENT</b> | PART NO.:<br><b>SY2DEDOT</b> |
| PART NO   | REPLACE OPERATOR |  |  |                 |            |                |            |                 |             |  |                              |
| SY2DEDOT 12VDC  | AY-38EDT-5       |  |  |                 |            |                |            |                 |             |  |                              |
| SY2DEDOT 24VDC  | AY-38EDT-8       |  |  |                 |            |                |            |                 |             |  |                              |
| SY2DEDOT 240/60   | AY-38EDT-17      |  |  |                 |            |                |            |                 |             |  |                              |



THE INFORMATION CONTAINED WITHIN THIS DOCUMENT IS PROPRIETARY TO AAA PRODUCTS AND MAY NOT BE DISCLOSED WITHOUT PRIOR WRITTEN CONSENT