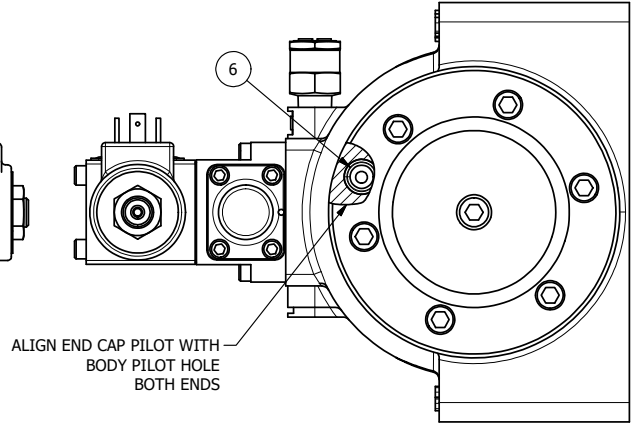


13 SEE NOTES 2 & 3

NOTES:
 1) ALWAYS GIVE VALVE MODEL AND PART NUMBER WHEN ORDERING.
 2) OPEN MUFLER 2 TURNS FROM CLOSED POSITION. TIGHTEN LOCK NUT ON MUFLER.
 3) INSTALL MUFLER WITH MAGNALUBE-G GREASE 1 TO 1-1/2 TURNS FROM HAND TIGHT INTO BODY.
 4) FOR DIFFERENT VOLTAGES OTHER THAN 120/60, REPLACE TOP CONTROL VALVE WITH VALVE LISTED IN TABLE BELOW.

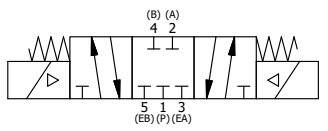


ALIGN END CAP PILOT WITH BODY PILOT HOLE BOTH ENDS

THE FOLLOWING PARTS ARE INCLUDED WITH THE SUBPLATE VALVE AND ARE USED TO ASSEMBLE.

QTY	PART NO	DESCRIPTION
5	V-92	O-RING, BUNA-N, 70 DURO, AS-014, (REF 1/2 X 5/8 X 1/16), 3/8" SUBPLATE
4	V-35	SCREW, 10-24 X 7/8, SOCKET HEAD CAP
14	1	SPK-16 KIT - SUBPLATE MOUNT, 2" SUBPLATE VALVES
13	2	MFC2 ASSEMBLY - MUFLER FLOW CONTROL, 1/4" NPT
12	3	V-337 PLUG, SOCKET 1/4-18 FLUSH SEAL PLUG
11	1	SY3PDED 3/8" SUBPLATE, DBL SOL, 3 POS, SPR CTR, SOL SHFT, REGEN CTR SPL, ISO 4400 DIN, 120/60
10	2	V-129 U-CUP, 1-5/8 X 1-1/8 X 1/4, NITRILE
9	2	SPC12 SPOOL - PRESS. CTR, 1 1/2" & 2" VALVE
8	2	V-128 O-RING, BUNA-N, 70 DURO, AS-229, (REF 2-3/8 X 2-5/8 X 1/8), 3 POS, 1-1/2" & 2" VALVES
7	2	V-231 PLUG, SOCKET PRESSURE 1/16-27X 7/8 TAPER FOR 122V, 192V, FOR EC
6	2	V-89 O-RING, BUNA-N, 70 DURO, AS-110, (REF 3/8 X 9/16 X 3/32), 1" & 2" SUBPLATE PILOT
5	2	PCE12E ENDCAP - PRESSURE CTR, SOLID, 6061-T6 AL, 1-1/2" & 2" VALVES
4	12	V-143 SCREW, 5/16-18 X 2, SOCKET HEAD CAP
3	1	S12 SPOOL - STANDARD, 2 POS - 3 POS CLOSED CTR, 1 1/2" & 2" VALVE
2	6	V-123 O-RING, BUNA-N, 70 DURO, AS-331, (REF 2-1/4 X 2-5/8 X 3/16), 1-1/2" & 2" VALVES
1	1	BP16-6 BODY, 2" SUBPLATE, PIGGY BACK
FLG	QTY	PART NO DESCRIPTION

SECTION A-A
VIEW FROM 3 PORT SIDE



CONTROL VALVE VOLTAGES	
PART NO	REPLACE WITH
SY16PED 240/60	SY3PDED 240/60
SY16PED 24VDC	SY3PDED 24VDC
SY16PED 12VDC	SY3PDED 12VDC

LIMITS ON DIMENSIONS UNLESS OTHERWISE SPECIFIED
 2-PL DECIMAL ± .01
 3-PL DECIMAL ± .005
 FRACTIONAL ± 1/64
 ANGULAR ± 1/2°

DRAWN: RMckenna DATE: 3/17/2015
 SCALE: 1/2 SHEET: 1 OF 1

TITLE: 2" SUBPLATE, DBL SOL, 3 POS, PRESS CTR, SOL SHFT, CLSD CTR SPL, ISO 4400 DIN, 120/60

AAA PRODUCTS INTERNATIONAL
 PRODUCTS INTERNATIONAL
 7114 Harry Hines Blvd
 Dallas, TX 75235

CHECKED: KWaite DATE: 5/31/2015
 RELEASED: HWomack DATE: 5/31/2015

PART NO.: SY16PED

THE INFORMATION CONTAINED WITHIN THIS DOCUMENT IS PROPRIETARY TO AAA PRODUCTS AND MAY NOT BE DISCLOSED WITHOUT PRIOR WRITTEN CONSENT