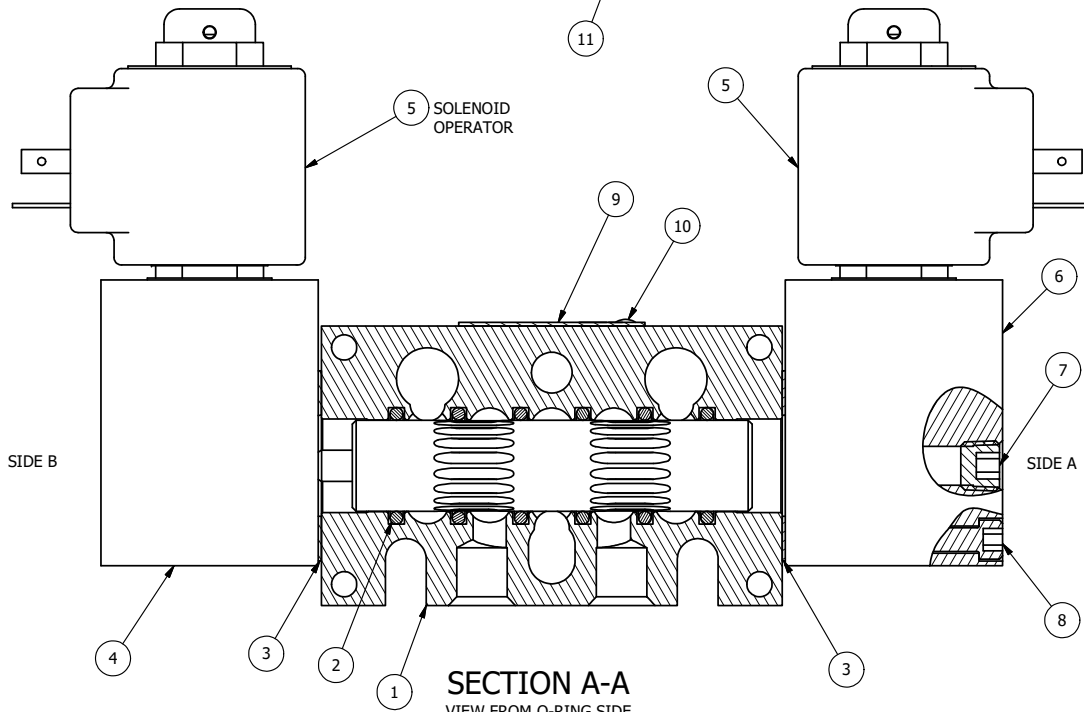


POSITION GASKET ON END OF VALVE  
TO ALIGN PILOT HOLES,  
BOTH ENDS (SIDE 'B' SHOWN)

NOTES:

- 1) ALWAYS GIVE VALVE MODEL AND PART NUMBER WHEN ORDERING PARTS.
- 2) FOR DIFFERENT VOLTAGES OTHER THAN 120/60, REPLACE SOLENOID OPERATOR WITH OPERATOR LISTED IN TABLE BELOW. REFERENCE AY-38EDL DRAWING FOR REPLACEMENT COILS.



FLG	QTY	PART NO	DESCRIPTION
11	3	V-110	O-RING, BUNA-N, 70 DURO, AS-114, (REF 5/8 X 13/16 X 3/32), 1/4" SLEEVE, 1/2" SUB, STACK
10	2	V-212	SCREW, #2 X 3/16 DRIVE, TYPE U, OVAL HEAD, STAINLESS STEEL
9	1	AN-114	NAMEPLATE, BLANK, FOR VALVES WITH SPRINGS OR DETENTS
8	8	V-1	SCREW, 10-24 X 2, SOCKET HEAD CAP
7	2	V-19	PLUG, SOCKET PIPE 1/8" NPT (#601-3 PITTSBURG PLUG PART #.)
6	1	PB3-5E	ADAPTOR - SOLENOID, SINGLE PILOT, 1/4" & 3/8" STACKING VALVE
5	2	AY-38EDL-11	CLASSIC SOLENOID - ISO 4400 DIN, DUST EXCLUDER NUT, 120/60
4	1	AY-BSY3G	ASSY - SPR CTR, FLOAT CTR SPL, 1/4" & 3/8" STACK VALVES
3	2	ECG3	GASKET - END CAP, 1/4" & 3/8" VALVE
2	6	V-39	O-RING, VITON, STD BODY, 1/4" & 3/8" VALVES
1	1	B2-10E	FINISHED - SOLID BODY, UPPER PILOTS, 1/4" STACKING VALVE

LIMITS ON DIMENSIONS  
UNLESS  
OTHERWISE SPECIFIED

2-PL DECIMAL ± .01  
3-PL DECIMAL ± .005  
FRACTIONAL ± 1/64  
ANGULAR ± 1/2°



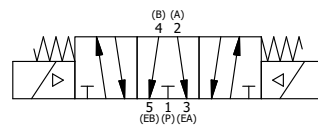
DRAWN: RMckenna DATE: 3/6/2016  
SCALE: 1 : 1 SHEET: 1 OF 1

CHECKED: KWaite DATE: 3/6/2016  
RELEASED: HWomack DATE: 3/6/2016

OPERATOR VOLTAGES	
PART NO	REPLACE OPERATOR
BSY2GEDL 240/60	AY-38EDL-17
BSY2GEDL 24VDC	AY-38EDL-8
BSY2GEDL 12VDC	AY-38EDL-5

TITLE:  
1/4" STACK, DBL SOL, 3 POS,  
SPR CTR, SOL SHFT, FLOAT CTR SPL,  
ISO 4400 DIN, 120/60, DUST EXCLDR

PART NO.:  
BSY2GEDL  
REV.:



THE INFORMATION CONTAINED WITHIN THIS DOCUMENT IS PROPRIETARY TO AAA PRODUCTS AND MAY NOT BE DISCLOSED WITHOUT PRIOR WRITTEN CONSENT

D:\Engineering\product\Valve Assembly\Classic\SYN\GIBS\2GEDL.dwg