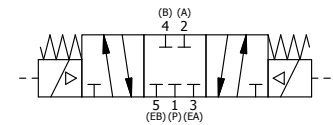
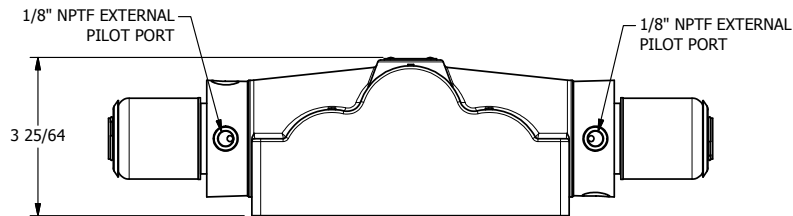
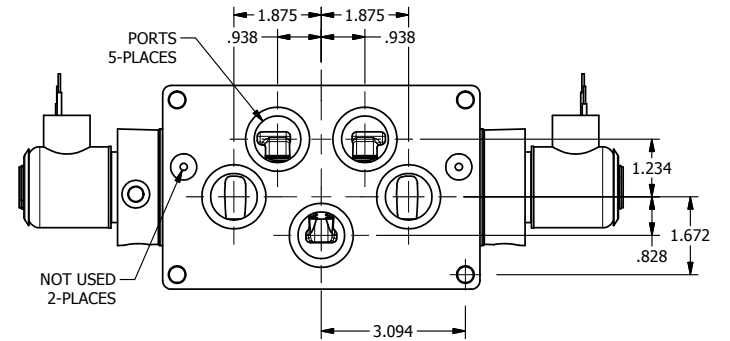
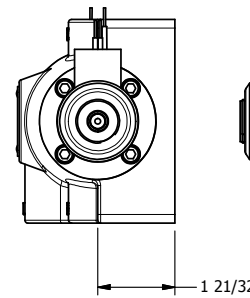
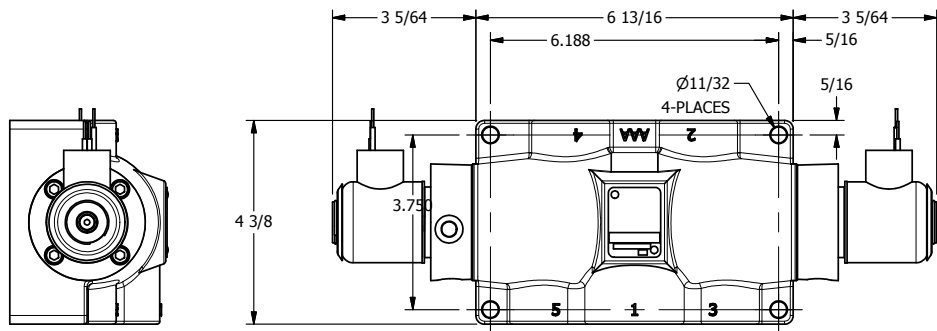
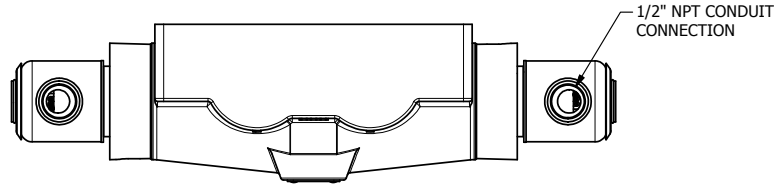


4

3

2

1



TITLE: 1" SUBPLATE, DBL SOL, 3 POS,  
SPR CTR, SOL RTRN, CLSD CTR SPL,  
EXPL PROOF, EXT PILOT

DRAWING NO.:  
DIM\_SY8PXZ

4

3

2

1

THE INFORMATION CONTAINED WITHIN THIS DOCUMENT IS PROPRIETARY TO AAA PRODUCTS AND MAY NOT BE DISCLOSED WITHOUT PRIOR WRITTEN CONSENT