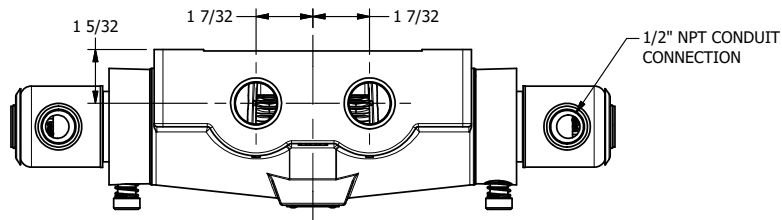


4

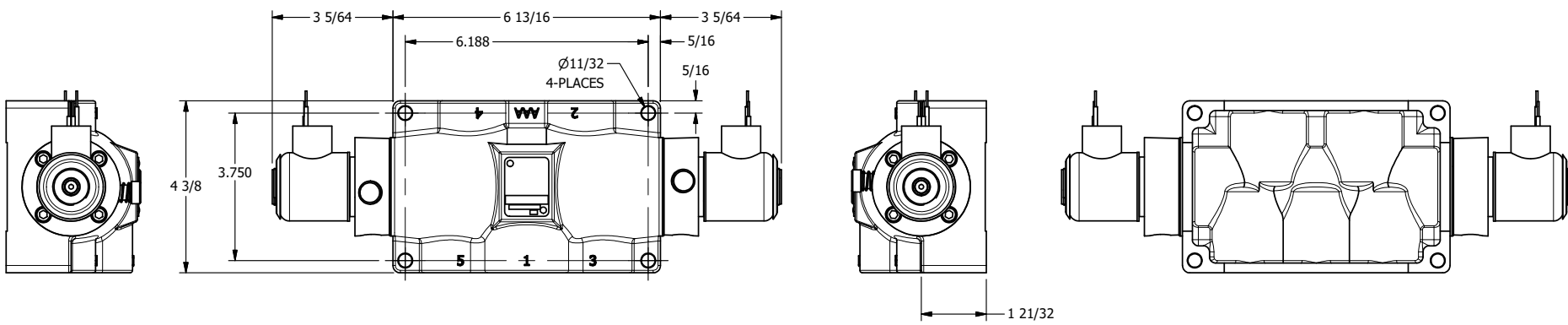
3

2

1



1/2" NPT CONDUIT CONNECTION



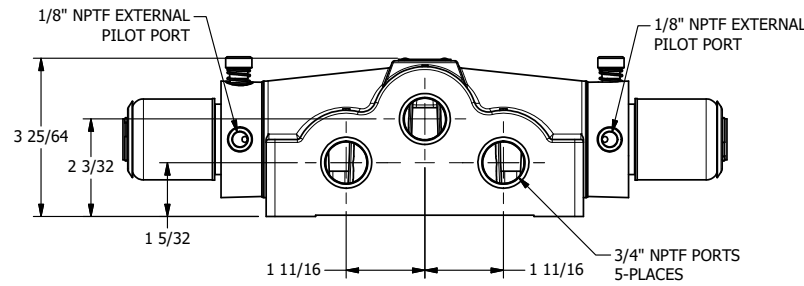
Ø11/32
4-PLACES

B

B

A

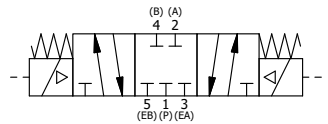
A



1/8" NPTF EXTERNAL PILOT PORT

1/8" NPTF EXTERNAL PILOT PORT

3/4" NPTF PORTS
5-PLACES



AAA
PRODUCTS
INTERNATIONAL

AAA PRODUCTS INTERNATIONAL
7114 Harry Hines Blvd
Dallas, TX 75235

TITLE: 3/4" SIDE PORT, DBL SOL, 3 POS,
SPR CTR, SOL SHFT, CLSD CTR SPL,
EXPL PROOF, LCKNG OVRD, EXT PILOT

DRAWING NO.:
DIM_SY6XOZ

4

3

2

1

THE INFORMATION CONTAINED WITHIN THIS DOCUMENT IS PROPRIETARY TO AAA PRODUCTS AND MAY NOT BE DISCLOSED WITHOUT PRIOR WRITTEN CONSENT